

## WTC-1450 - Industrial Mobile Tooling Cabinet Workstation

1170 x 580 x 1450mm  
 100kg per Drawer

**Back In Stock Soon**

**Ex GST**                      **Inc GST**  
**\$1,170.00**                **\$1,287.00**



ORDER CODE:	T773
MODEL:	WTC-1450
Number of Drawers (No.):	5
Drawer Load Capacity (kg):	100
Maximum Total Load Capacity (kg):	390
Includes Backing Panel:	~
Dimensions (W x D x H) (mm):	1170 x 580 x 1450
Nett Weight (kg):	121



### Features

- Heavy duty tooling cabinets, ideal for industrial applications and serious workshops
- Backing panel perfect for optional hooks, prongs & holders
- The sliding drawers are a welded strengthened single rail design coupled with high quality mechanical bearings for long lasting smooth operation
- 5 Drawers, top drawers include a series of different size plastic boxes for those small items, all other drawers come with adjustable steel dividers
- 100kg load capacity per drawer with 97% access
- 250kg load capacity on work bench top
- 390kg total load capacity for mobile work station
- Key lockable drawers & cupboard
- Cupboard consist an adjustable shelf with a load capacity of 40kg
- Powder coated quality finish
- 950mm work bench height
- Portable on caster wheels, 2 with brake
- Includes push handle
- Table Dimensions (W x D x H): 1103 x 580 x 950mm
- Weighs 121kg

Product Brochure For T773

**Specific Features**



Shown with Optional Tools and Accessories



Front View



Side View



Cupboard with Adjustable Shelf



Top Drawer



2nd Drawer



Bottom Drawers



Key Lockable Drawers



Key Lockable Door



Fixed Wheels



Swivel Wheels



Push Handle



Rubber Matting



Drawer Railings



Drawer Locking Mechanism



Drawers with Safety Locks

Product Brochure For T773



Heavy Duty Drawers



Drawer Lock Bracket



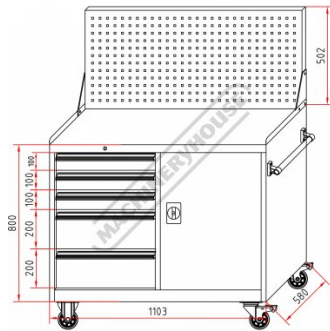
Drawers with Steel Dividers



Top Drawer with Plastic Buckets



Backing Panel Shown with Optional Hooks



Diagram

**Recommended Accessories**

A439

Hook - Single Prong



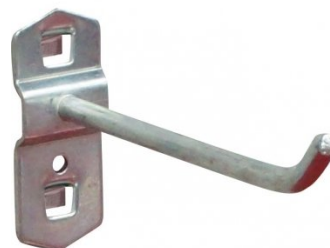
A440

Hook - Single Prong



A4401

Hook - Single Prong



A441

Hook - Double Prong



Product Brochure For T773

A442  
 Hook - Double Prong



A4492  
 Hook - U Shape Holder



A449  
 Hook - U Shape Holder



A4496  
 Round Tool Holder - Loop



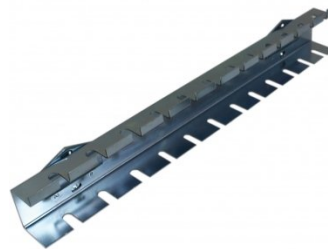
A444  
 Plier Holder - Triple Prong



A446  
 Holder - Spanner



A448  
 Holder - Screwdriver



A427  
 Plastic Bucket



A428  
 Plastic Bucket



A429  
 Plastic Bucket



T703  
 Magnetic Spray Can &  
 Screwdriver Holder



H820  
 Metric Hex Key Set with T-Bar  
 Handle



Product Brochure For T773

**H821**  
Imperial Hex Key Set with T-Bar Handle



**H822**  
Torx® Key Set with T-Bar Handle



**08048**  
Folding Utility Knife



**D1272**  
Metric Precision HSS Drill Set - 25 Piece



**D1282**  
Imperial Precision HSS Drill Set - 29 Piece



**D1285**  
Metric Precision HSS Drill Set - 51 Piece



**D1071**  
HSS Sheet Metal Step Drill Set - 3 Piece



**D1051**  
HSS Countersink Set - 4 Piece



**D1061**  
HSS Countersink Set 6 Piece



**D508**  
HSS Industrial Centre Drill Set - 5 Piece



**D070**  
Drill Sharpener



**H880**  
Dead Blow, Nylon Face Hammer



Product Brochure For T773

**H870**  
Soft Face Hammer



**H875**  
Soft Face Hammer - 5 piece



**H885**  
Auto Panel Restoration Kit - DIY



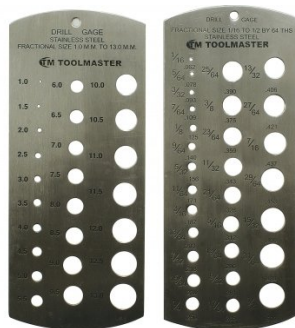
**H886**  
Auto Panel Restoration Kit - Professional



**H887**  
Auto Panel Restoration Kit - Master



**M988**  
Metric & Imperial Drill Gauge



**Q616**  
Feeler Gauge Set



**T012**  
Metric Alloy Steel Tap & Die Set - 32 Piece



**T013**  
Metric HSS Tap & Die Set - 32 Piece



**T014**  
Metric Alloy Steel Tap & Die Set - 45 Piece



**T015**  
Imperial Alloy Steel Tap & Die Set - 45 Piece



**T016**  
Metric HSS Tap & Die Set - 45 Piece



Product Brochure For T773

**T870**  
Screw Extractor Set - 10 piece



**T119**  
Metric Thread Restorer File



**T120**  
Imperial Thread Restorer File



**T100**  
Metric Thread Repair Kit - 130 Piece



**T116**  
Imperial Thread Restorer Tap & Die Kit - 26 Piece Set



**T115**  
Metric Thread Restorer Tap & Die Kit - 15 Piece



**T117**  
Metric, UNC, UNF Thread Restorer Tap & Die Kit - 48 Piece



**D108**  
Metric Carbide Tipped Hole Saw Set



**D102**  
Metric HSS Hole Saw Set



**F100**  
Engineers Files, 5 Piece Set - Second Cut



**F120**  
Engineers File, Flat - Coarse Cut



**F121**  
Engineers File, Flat - Second Cut



Product Brochure For T773

F122

Engineers File, Flat - Smooth Cut



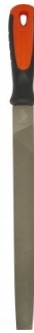
F124

Engineers File, Half Round - Coarse Cut



F125

Engineers File, Half Round - Second Cut



F126

Engineers File, Half Round - Smooth Cut



F127

Engineers File, Round - Coarse Cut



F128

Engineers File, Round - Second Cut



F129

Engineers File, Round - Smooth Cut



F160

Slapping File - Second Cut



F150

Flexible Body File Holder



F155

Flexible Body File



F156

Flexible Body File



P112

Hole Punch Set





Product Brochure For T773

**S203**  
 180° Straight Edge/Seaming  
 Plier



**S205**  
 90° Edge/Seaming Plier



**S200**  
 Joggler & Punch Plier



**P368**  
 Automatic Centre Punch



**P367**  
 Centre Punch Set - 3 Piece



**P365**  
 Pin Punch Set - 6 Piece



**P363**  
 Cold Chisel Set - 3 Piece



**P364**  
 Punch & Cold Chisel Set - 14  
 Piece



**N001**  
 Nut & Blind Riveter Set - 130  
 Piece



**P350**  
 Letter Punches



**P351**  
 Number Punches



**P354**  
 Letter Punches



Product Brochure For T773

P355  
 Number Punches



W103  
 Engineers Chalk Marker- 50 Splits



W104D  
 White Liquid Paint Marker - Valve Action



W104E  
 Yellow Liquid Paint Marker - Valve Action



W104B  
 Silver Streak - Welders Pencil



W104A  
 Orange Trades Marker Refills - All Purpose



W104  
 Trades Marker - All Purpose



W104G  
 Silver Streak Refills - Round Metal Marker



W104C  
 Silver Streak - Round Metal Marker



D063  
 Sheet Metal Deburring Tool



D060  
 Deburring Tool - Telescopic Shaft



D065  
 Universal Deburring Tool Set - 23 Piece



Product Brochure For T773

**D068**  
 Pipe/Tube Deburring Tool -  
 Internal / External



**B900**  
 Carbide Burr Double Cut Set -  
 Short Series



**B905**  
 Carbide Burr Double Cut Set -  
 Long Series



**M0009**  
 Magnetic Pick Up Tool &  
 Inspection Mirror Set



**L300**  
 Magnetic Swarf Remover



**P020**  
 Hydraulic Chassis Punch Set



**M697**  
 Portable Video Inspection  
 Camera



**W112**  
 Micro Welding Steel Clamp Set



**W113**  
 Butt Welding Aluminium & Steel  
 Clamp Set



**W114**  
 3 Angles Welding Aluminium  
 Clamp Set



**S077**  
 Drilling, Tapping & Cutting Tool  
 Lubricant Spray - 400g



**S075**  
 Cutting Tool Lubricant Paste -  
 200g



Product Brochure For T773

O043  
 Rust & Corrosion Preventive -  
 Penetrant & Lubrication



O042  
 General Purpose Lubricant &  
 Corrosion Inhibitor



O040  
 Rust & Corrosion Preventive -  
 Penetrant & Lubrication



O044  
 Rust & Corrosion Preventive -  
 Penetrant & Lubrication



P030  
 Bush Driver Set - 17 piece



P031  
 Bearing Race & Seal Driver Set  
 - 10 piece



P005  
 Ratcheting Gear Puller Set



P013  
 Puller Set with Slide Hammer



P011  
 Hydraulic Gear Puller Kit



A037  
 Pneumatic Tool Oil



G076  
 Top Up Pump



G077  
 Oil Transfer Pump



Product Brochure For T773

G040  
 Oil Transfer Pump



G065  
 Suction Gun - Oil Transfer



G070  
 Grease Gun



G072  
 Grease Gun



G063  
 Grease Gun



G074  
 Air Operated Grease Gun



G066  
 Air Operated Power Pistol - Grease Gun



G068  
 Battery Operated Grease Gun



G060  
 Grease Gun



G067  
 Lithium-ion Battery Operated - Grease Gun



G057  
 Super Blue Complex Grease Cartridge



O002  
 Superdrdraulic Hi Temp 46 Hydraulic Oil

