

Product Brochure For C923

R8 x ER32 - Collet & Chuck Set - 8 Piece

Collet Range Ø5 - Ø20mm
 "Made in Taiwan"



Package Deal

Ex GST	Inc GST
\$290.00	\$319.00

Package Contents - SAVE \$33.00 (Inc)

1 x C106 - R8 x ER32 Collet Chuck - R8 x ER32	\$154.00
1 x C921 - C921 ER32 Collet Set - 6 Piece	\$165.00
1 x C932 - C932 ER32 Collet Chuck Wrench	\$33.00
Normal Price (Inc):	\$352.00

ORDER CODE:	C923
Chuck Taper:	R8
Collet Type:	ER32
Number of Collets (No.):	6
Collet Diameter Range (Ø):	6-5, 8-7, 10-9, 12-11 & 16-15, 20-19mm
Drawbar Thread:	7/16" UNF

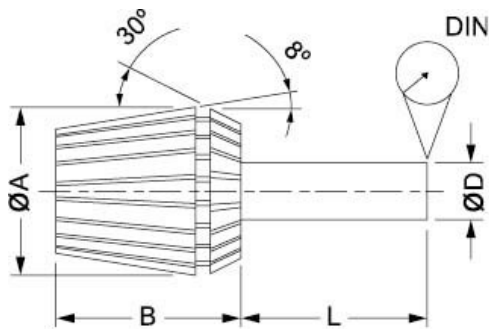


Description

Precision R8 chuck and collet set. Requires 7-6mm and 13-12mm to cover imperial shanks

Features

- Includes spanner
- Chuck and collets as listed
- Blow-mould case
- Other collets available



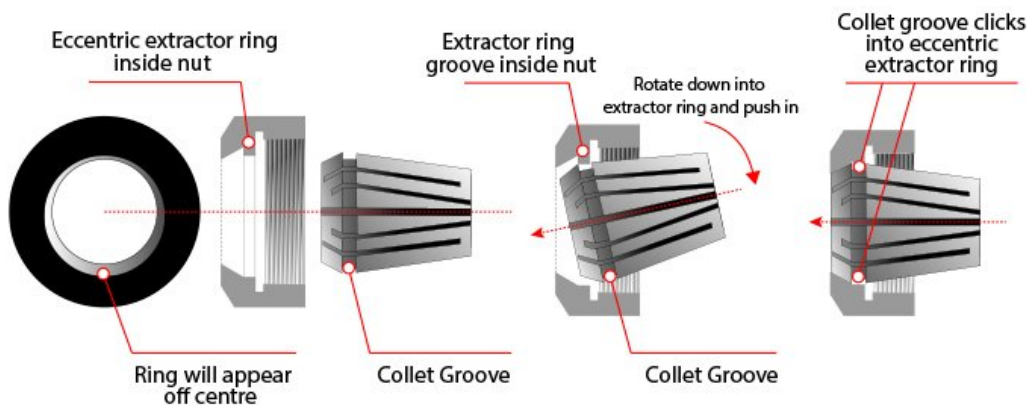
Collet	A	B	L	DIN	RANGE (D)
ER11	11.5	18	6	0.02	0.5-7.0
ER16	17	27	10	0.02	0.5-10.0
ER20	21	31	16	0.02	1.0-13.0
ER25	26	35	25	0.02	1.0-16.0
ER32	33	40	40	0.02	2.0-20.0
ER40	41	46	50	0.03	3.0-26.0

Installation Guide - Please see downloads for full details

1.

2.

3.



Recommended Accessories

C932
ER32 Collet Chuck Wrench

C117
Collet Nut ER32

C106
Collet Chuck - R8 x ER32

C907
ER32 Collet



Product Brochure For C923

sales@machineryhouse.com.au
www.machineryhouse.com.au

C913
ER32 Collet

