

## MK-300-920/5U - 920mm Sino Digital Readout Scale

Standard Scale  
 5µm Resolution

**Ex GST**  
**\$190.00**

**Inc GST**  
**\$209.00**



ORDER CODE:	D5229
Type:	Standard Scale
Travel - Maximum (mm):	920
Overall Length (L) (mm):	~
Scale Resolution (µm):	5
Scale Accuracy (µm):	~
Cable Length (Metre):	3
Backing Support Plate (Yes / No):	No
Width x Height (W x H) (mm):	~

**SINO**



### Description

Sino MK series DRO scales offer an affordable low cost solution for your Lathe or Milling machine digital readout requirements. Scales lengths available in a range from 170mm to 1020mm. Compact scales available ranging from 170mm to 270mm specially designed to suit X-Axis travels on Lathes.

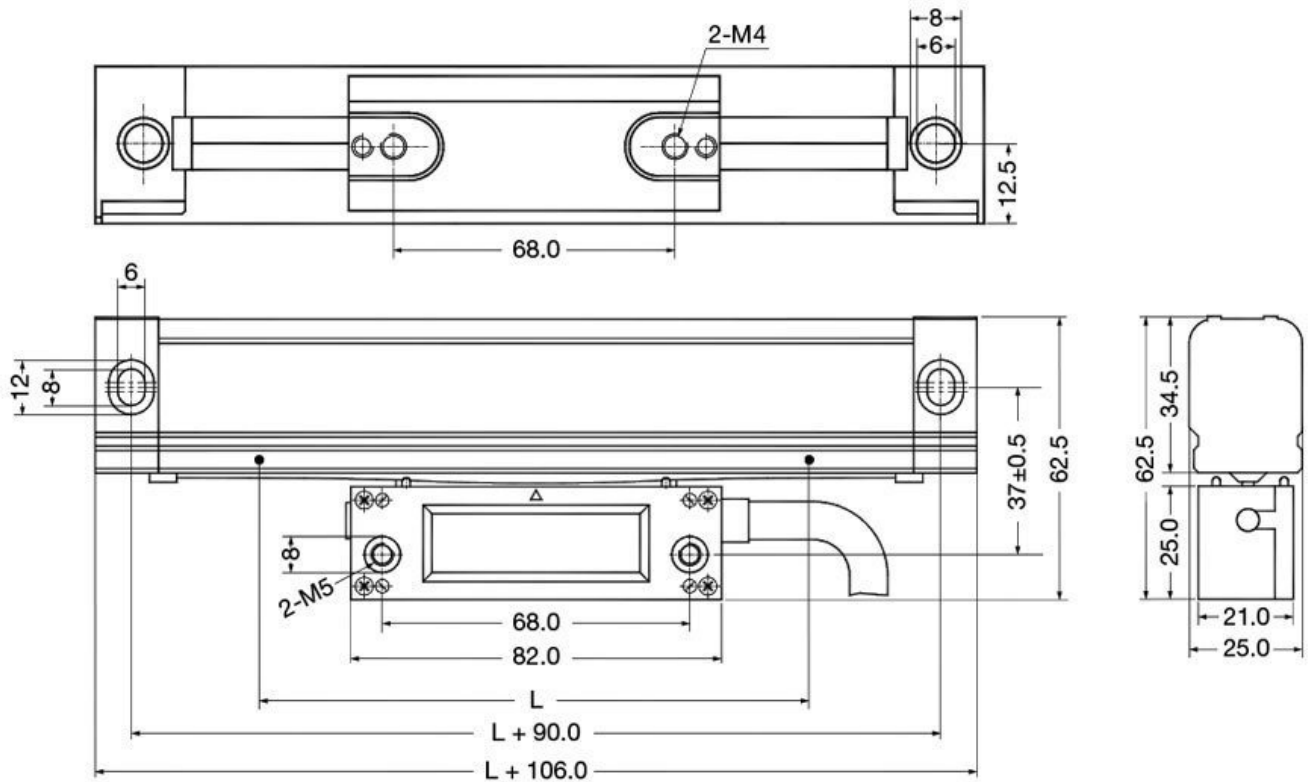
### Features

- Scale body made from extruded aluminium with wiper seals
- Glass scale with 5µm resolution
- 3m connection cable with 9 pin D-Sub connector
- The slide carrier of the MK series scales uses Japanese NSK bearings to provide high precision, low noise and long service life
- Includes cover & mounting screws
- Optional mounting backing plates available for ease of installation on non-machined surfaces
- An easy-to-follow D.I.Y. Installation Manual is supplied with each system, complete with illustrations and mounting brackets

### Optional Accessories

- Mounting backing plate to suit (D5249) available for ease of installation on non-machined surfaces

## Sino MK-300 Series Scales



$L$  = Effective measuring length of scale

**Specific Features**



Reader Head



DSub9 Male Plug



Included Parts

**Recommended Accessories**

D5249  
 Scale - Backing Plate & Cover

K5200  
 2-Axis Digital Readout Package Deal

D5202  
 3-Axis Digital Readout Counter - 5µm

K5202  
 3-Axis Digital Readout Package Deal

