

Product Brochure For C926

## 3MT x ER32 - Collet & Chuck Set - 20 Piece

Collet Range Ø2 - Ø20mm  
 "Made in Taiwan"



**Package Deal**

Ex GST	Inc GST
\$420.00	\$462.00

**Package Contents - SAVE \$44.00 (Inc)**

1 x C105 - 3MT x ER32 Collet Chuck - 3MT x ER32	\$99.00
1 x C922 - C922 ER32 Collet Set - 18 Piece	\$374.00
1 x C932 - C932 ER32 Collet Chuck Wrench	\$33.00
<b>Normal Price (Inc):</b>	<b>\$506.00</b>

ORDER CODE:	C926
Chuck Taper:	3MT
Collet Type:	ER32
Number of Collets (No.):	18
Collet Diameter Range (Ø):	3-2, 4-3, 5-4, 6-5 & 7-6, 8-7, 9-8, 10-9 & 11-10, 12-11, 13-12 & 14-13, 15-14, 16-15 & 17-16, 18-17, 19-18 & 20-19mm
Drawbar Thread:	1/2" Whitworth

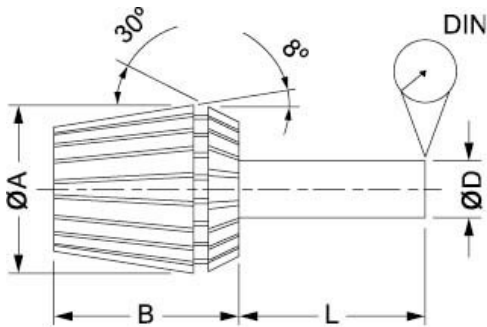


### Description

Precision MT3 collet chuck complete with a full set of ER32 collets.

### Features

- Includes spanner
- Chuck and collets as listed
- Blow-mould case



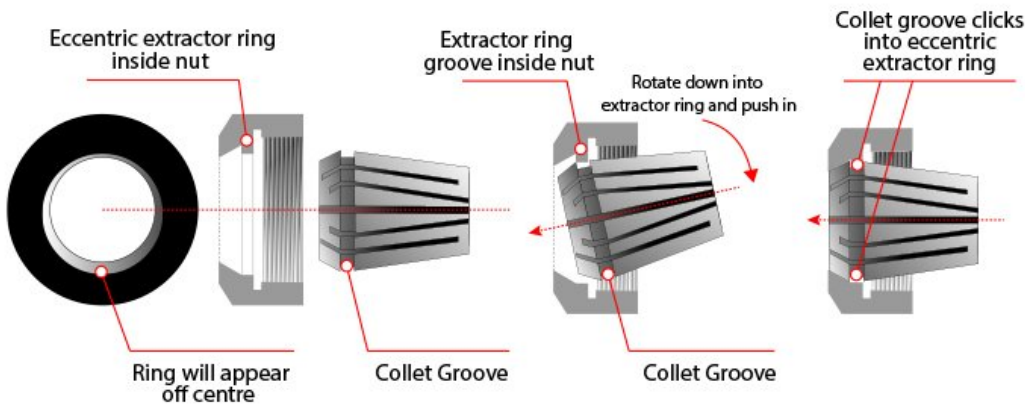
Collet	A	B	L	DIN	RANGE (D)
ER11	11.5	18	6	0.02	0.5-7.0
ER16	17	27	10	0.02	0.5-10.0
ER20	21	31	16	0.02	1.0-13.0
ER25	26	35	25	0.02	1.0-16.0
ER32	33	40	40	0.02	2.0-20.0
ER40	41	46	50	0.03	3.0-26.0

**Installation Guide** - Please see downloads for full details

**1.**

**2.**

**3.**



**Recommended Accessories**

C932  
ER32 Collet Chuck Wrench

C117  
Collet Nut ER32

C105  
Collet Chuck - 3MT x ER32

C912  
ER32 Collet

