

Product Brochure For H259

TBH500 - Compact Wire Rope Hoist

500kg Lifting Capacity
 30 Metre Lifting Height

Ex GST **Inc GST**
\$1,690.00 **\$1,859.00**



ORDER CODE:	H259
Model:	TBH500
Brand:	TOHO
Lifting Capacity (kg):	500
Lifting Height (Metre):	30
Speed (m/min):	13
Pendant Control Length (Metre):	10
Wire Rope Diameter (mm):	6
Motor Output (kW):	1.6
Voltage (V):	240
Nett Weight (kg):	30

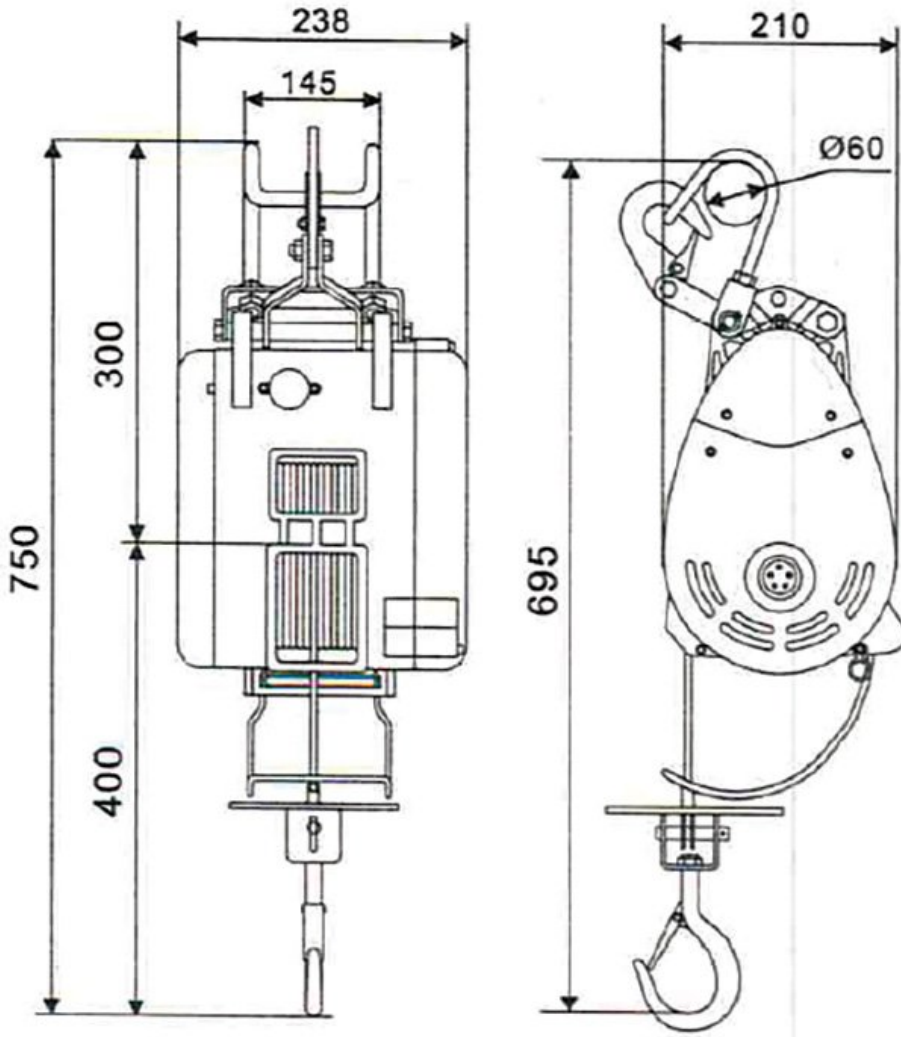


Description

Designed for use on building sites and multi-storey units, these compact electric rope hoists are also suitable for a wide range of applications in warehouses, storage areas, factories, etc.

Features

- Light weight and compact design allowing for easy installation
- Automatic upper limit switch, when rope disc touches the limit arm, hoisting is automatically stopped
- Lower overwind limit switch
- Dynamic and mechanical brake providing instant and safe braking
- Convenient 240 volt/single phase power supply
- Sensor arm automatically stops motor if the wire rope is under-wound
- Wire rope with 360° weighted hook with safety latch
- Supplied with 3 metre power lead and industry plug & 10 metre heavy duty IP65 waterproof pendant control
- Complies with AS/NZS 1418.2 standard



Recommended Accessories

H259A
 Wireless remote t/s builders hoist



C147
 Girder Trolley



H300
 Round Sling



H316
 Flat Sling



H305
 Round Sling



H318
 Flat Sling



H308
 Round Sling



H307
 Round Sling



Product Brochure For H259

sales@machineryhouse.com.au
www.machineryhouse.com.au

H320
Flat Sling



H310
Round Sling



H314
Round Sling



H322
Flat Sling



H312
Round Sling



H324
Flat Sling

