

## MP-304-HM - Straight Line Toggle Clamp

680kg Capacity

**Ex GST**  
**\$39.00**

**Inc GST**  
**\$42.90**



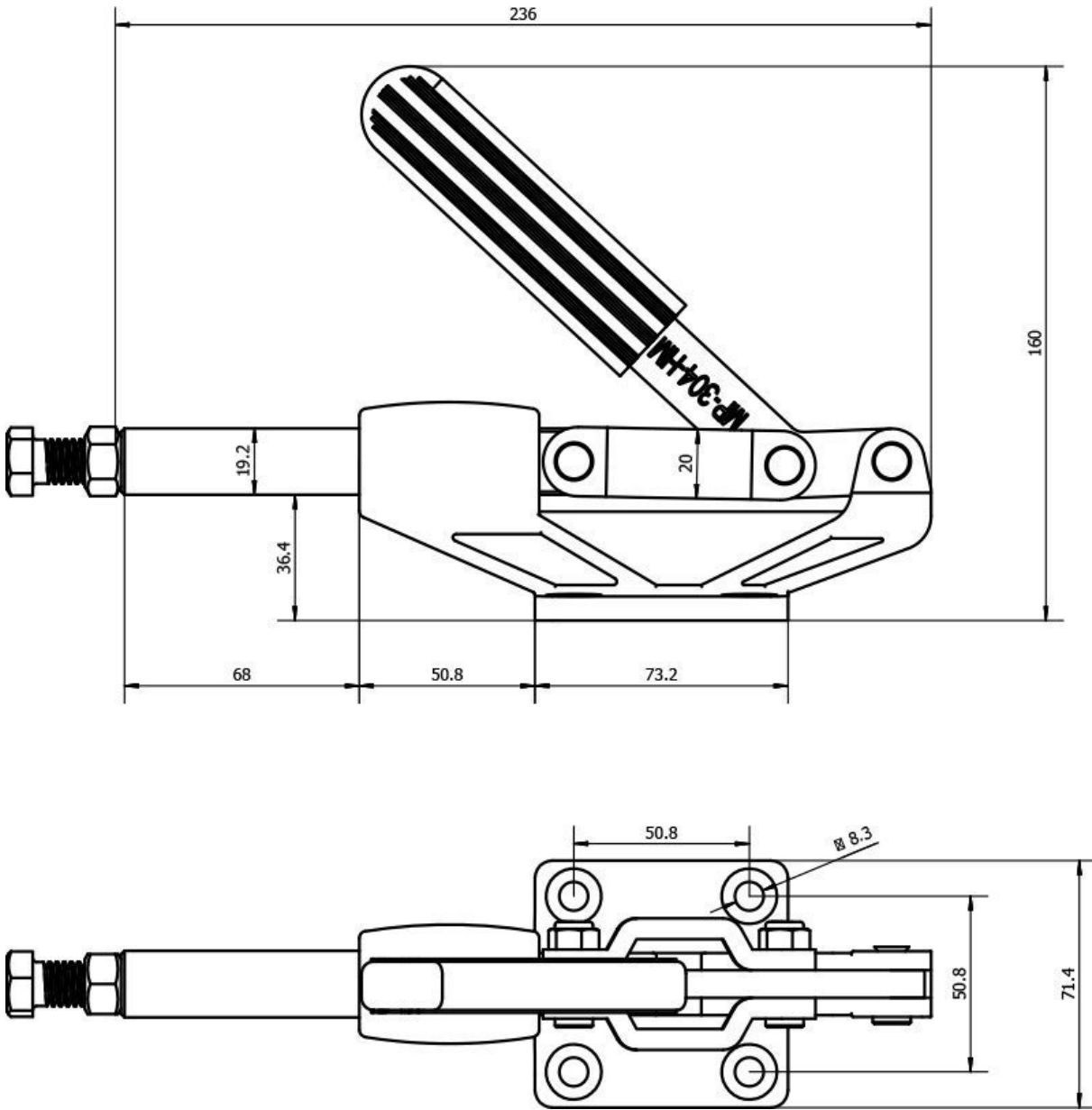
ORDER CODE:	C1010
MODEL:	MP-304-HM
Type:	Straight Line & Toggle Clamp
Table Height with Stand (mm):	~
Suits Table Size:	~
Material Finish:	~
Clamping Capacity:	680kg
Locking Handle - Pivot Movement:	190°
Clamp Bar - Pivot Movement:	~
Plunger Travel (mm):	62
Throat Depth (mm):	~
Opening (mm):	~
Size:	~
Quantity Per Pack (No.):	1
Thread:	~
Number of Holes (No.):	~
Slot Length (mm):	~
Pull Force (kg):	~
Clamping Force (kg):	~
Suits:	~
Over all Length:	~
Nett Weight (kg):	1.5



### Features

- MP-304-HM - Straight Line Toggle Clamp
- Holding capacity: 680kg
- Handle moves: 190°
- Plunger travel: 62mm
- Weight: 1.5kg

Product Brochure For C1010



Product Brochure For C1010

**Specific Features**



Open

**Recommended Accessories**

C1001  
 Vertical Toggle Clamp

C100  
 Vertical Toggle Clamp

C0999  
 Vertical Toggle Clamp

C0998  
 Vertical Toggle Clamp



C1003  
 Horizontal Toggle Clamp

C1005  
 Horizontal Toggle Clamp

C1006  
 Horizontal Toggle Clamp

C1008  
 Straight Line Toggle Clamp



Product Brochure For C1010

[sales@machineryhouse.com.au](mailto:sales@machineryhouse.com.au)  
[www.machineryhouse.com.au](http://www.machineryhouse.com.au)

C1011

Straight Line with Threaded  
Collar Toggle Clamp

C1009

Straight Line Toggle Clamp

