

MP-303-EM - Straight Line Toggle Clamp

450kg Capacity

Ex GST
\$35.00

Inc GST
\$38.50

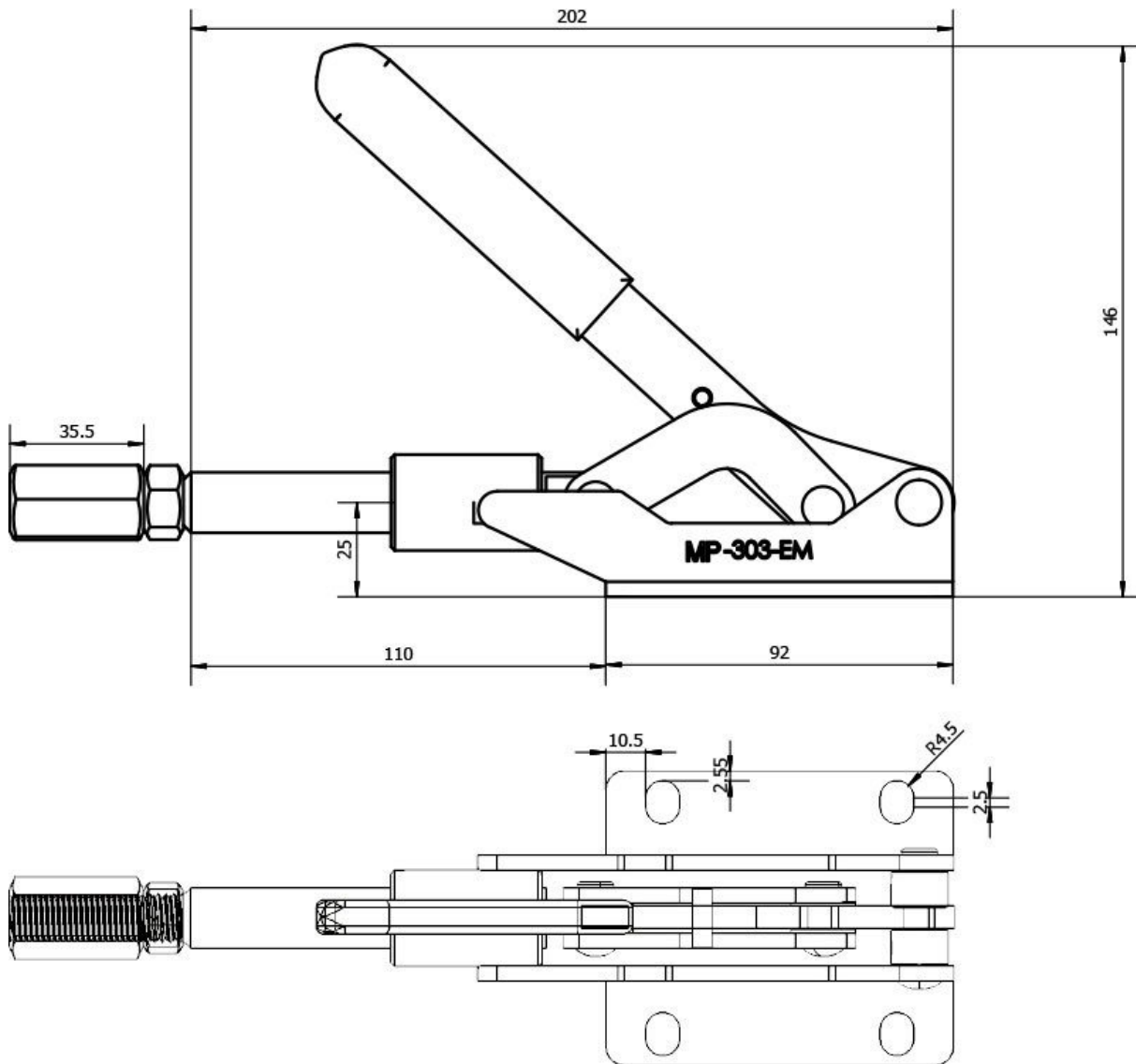


| | |
|----------------------------------|------------------------------|
| ORDER CODE: | C1009 |
| MODEL: | MP-303-EM |
| Type: | Straight Line & Toggle Clamp |
| Table Height with Stand (mm): | ~ |
| Suits Table Size: | ~ |
| Material Finish: | ~ |
| Clamping Capacity: | 450kg |
| Locking Handle - Pivot Movement: | 190° |
| Clamp Bar - Pivot Movement: | ~ |
| Plunger Travel (mm): | 50 |
| Throat Depth (mm): | ~ |
| Opening (mm): | ~ |
| Size: | ~ |
| Quantity Per Pack (No.): | 1 |
| Thread: | ~ |
| Number of Holes (No.): | ~ |
| Slot Length (mm): | ~ |
| Pull Force (kg): | ~ |
| Clamping Force (kg): | ~ |
| Suits: | ~ |
| Over all Length: | ~ |
| Nett Weight (kg): | 1.0 |



Features

- MP-303-EM - Straight Line Toggle Clamp
- Holding capacity: 450kg
- Handle moves: 190°
- Plunger travel: 50mm
- Weight: 1.0kg



Specific Features



Open

Recommended Accessories

C1001
 Vertical Toggle Clamp



C100
 Vertical Toggle Clamp



C0999
 Vertical Toggle Clamp



C0998
 Vertical Toggle Clamp



C1003
 Horizontal Toggle Clamp



C1005
 Horizontal Toggle Clamp



C1006
 Horizontal Toggle Clamp



C1008
 Straight Line Toggle Clamp



Product Brochure For C1009

sales@machineryhouse.com.au
www.machineryhouse.com.au

C1011

Straight Line with Threaded
Collar Toggle Clamp

C1010

Straight Line Toggle Clamp

