

Product Brochure For C921

## C921 - ER32 Collet Set - 6 Piece

Collet Range Ø5 - Ø20mm  
 "Made in Taiwan"

<b>Ex GST</b>	<b>Inc GST</b>
<b>\$150.00</b>	<b>\$165.00</b>

ORDER CODE:	C921
Type:	ER32
Pieces in Set (No.):	6
Collet Range:	6-5, 8-7, 10-9, 12-11 & 16-15, 20-19mm

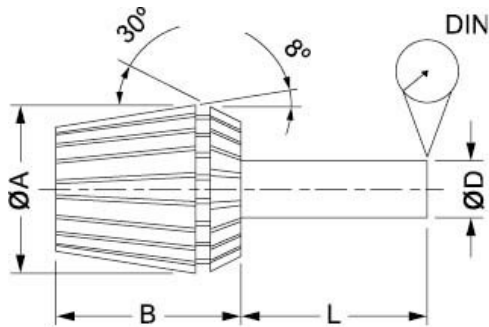


### Description

Note: Sets do not include spanner

### Features

- Packaged in a blow mould case
- (Requires 7 & 13mm to cover imperial shanks)



Collet	A	B	L	DIN	RANGE (D)
ER11	11.5	18	6	0.02	0.5-7.0
ER16	17	27	10	0.02	0.5-10.0
ER20	21	31	16	0.02	1.0-13.0
ER25	26	35	25	0.02	1.0-16.0
ER32	33	40	40	0.02	2.0-20.0
ER40	41	46	50	0.03	3.0-26.0

**Installation Guide** - Please see downloads for full details

**1.**

**2.**

**3.**

