

Product Brochure For D5213

## MK-500-270/5U - 270mm Sino Digital Readout Scale

Compact Scale  
 5µm Resolution

**Ex GST**  
**\$200.00**

**Inc GST**  
**\$220.00**



|                                   |               |
|-----------------------------------|---------------|
| ORDER CODE:                       | D5213         |
| Type:                             | Compact Scale |
| Travel - Maximum (mm):            | 270           |
| Overall Length (L) (mm):          | ~             |
| Scale Resolution (µm):            | 5             |
| Scale Accuracy (µm):              | ~             |
| Cable Length (Metre):             | 3             |
| Backing Support Plate (Yes / No): | Yes           |
| Width x Height (W x H) (mm):      | ~             |

**SINO**



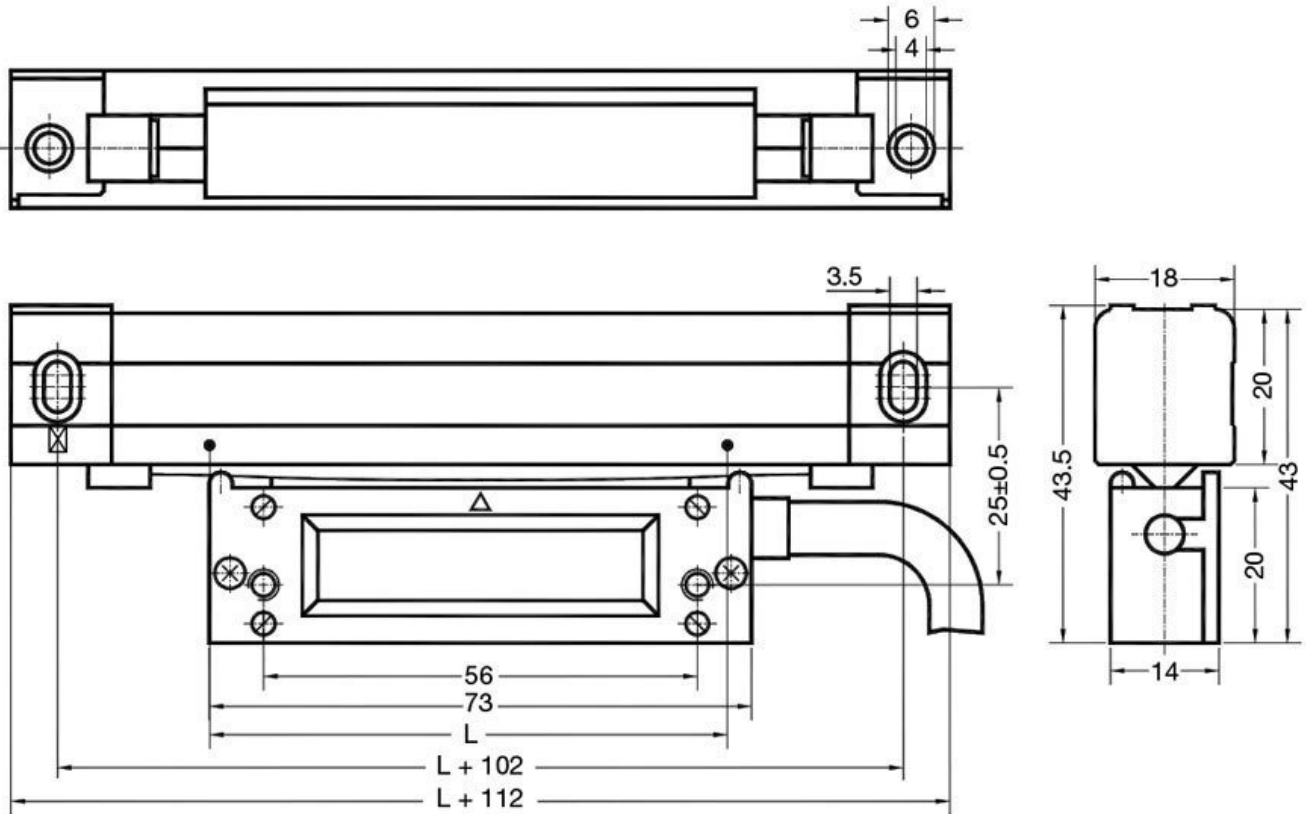
### Description

Sino MK series DRO scales offer an affordable low cost solution for your Lathe or Milling machine digital readout requirements. Scales lengths available in a range from 170mm to 1020mm.  
 Compact scales available ranging from 170mm to 270mm specially designed to suit X-Axis travels on Lathes.

### Features

- Compact body designed for mounting on Lathe X-Axis travels
- Scale body made from extruded aluminium with wiper seals
- Glass scale with 5µm resolution
- 3m connection cable with 9 pin D-Sub connector
- The slide carrier of the MK series scales uses Japanese NSK bearings to provide high precision, low noise and long service life
- Includes mounting backing plate, cover & mounting screws
- An easy-to-follow D.I.Y. Installation Manual is supplied with each system, complete with illustrations and mounting brackets

## Sino MK-500 Series Compact Scales



L = Effective measuring length of scale

**Specific Features**



Shown Assembled



Reader Head



DSub9 Male Plug



Included Parts

**Recommended Accessories**

**K5200**

2-Axis Digital Readout Package Deal

**D5202**

3-Axis Digital Readout Counter - 5µm

**K5202**

3-Axis Digital Readout Package Deal

