

Product Brochure For H250

## TECH0103 - Electric Chain Hoist

1 Tonne x 3 Metre Lift  
 Single Speed: 6m/min. Lift Speed

**Ex GST**                      **Inc GST**  
**\$2,400.00**                **\$2,640.00**



ORDER CODE:	H250
MODEL:	TECH0103
Capacity (Tonne):	1
Lift Height (Metre):	3
Lift Speed (m/min):	6
Motor Power (W):	1200
Voltage (V):	240



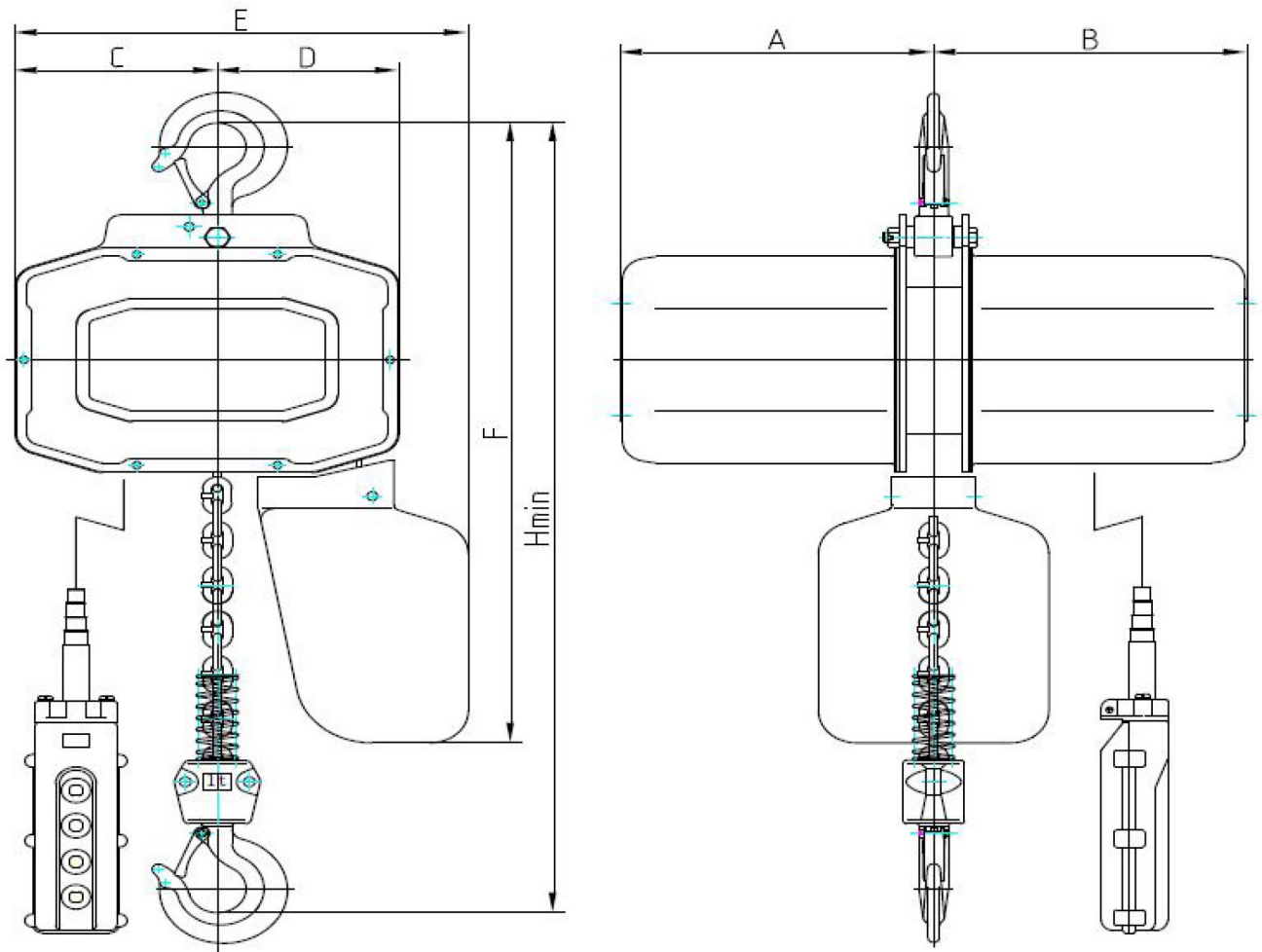
### Description

Thermal Prevention Device Fitted

### Features

- Light weight, compact design with high efficiency motor
- Pressed steel structure, high strength body
- High tensile alloy steel top & bottom hooks
- Grade 80 - 7.1mm Alloy Steel load chain
- Limit switches fitted at top and bottom ends to prevent chain run-out
- 240V , 50Hz Single speed Motor 1200 Watts

## Main Dimension of TECH Series Electric Chain Hoist



Model	TECH0103 / TECH0106	TECH0203 / TECH0206
A	245	245
B	245	245
C	158	124
D	142	176
E	350	350
F	600	610
H	520	630

**Recommended Accessories**

C147  
Girder Trolley

H301  
Round Slings

H300  
Round Slings

H316  
Flat Slings



H305  
Round Slings

H318  
Flat Slings

H308  
Round Slings

H309  
Round Slings



Product Brochure For H250

H307  
 Round Sling



H306  
 Round Sling



H320  
 Flat Sling



H311  
 Round Sling



H310  
 Round Sling



H314  
 Round Sling



H315  
 Round Sling



H322  
 Flat Sling



H312  
 Round Sling



H324  
 Flat Sling



H313  
 Round Sling

