

Product Brochure For M083

513-518T - Dial Indicator - Imperial

0 - 0.04" Travel

Ex GST
\$250.00

Inc GST
\$275.00



ORDER CODE:	M083
Range:	0.04"
Graduations:	0.001"
A (mm):	~
B (mm):	~
B1 (mm):	~
C (mm):	~
D (mm):	~
d (mm):	~
E (mm):	~
F (mm):	~
G (mm):	~
H (mm):	~
I (mm):	~
J:	~
K (mm):	~
L (mm):	~
L1 (mm):	~
Ø (mm):	~

Mitutoyo



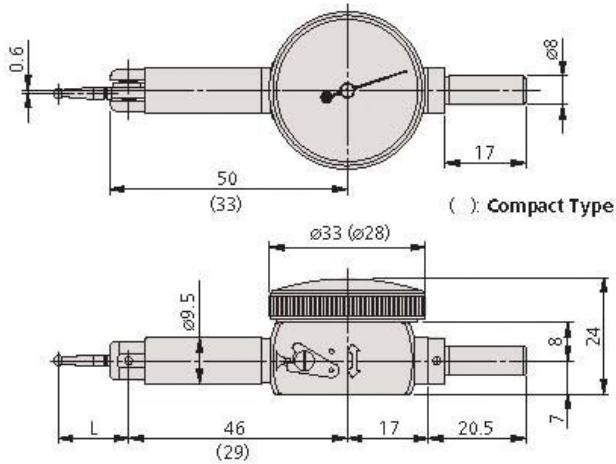
Description

Mitutoyo dial indicator

Features

- Jewelled bearings assure higher sensitivity and accuracy
- Reversible measuring direction
- Fully adjustable bezel/dial face
- Two holding bars are supplied
- Contact point is adjustable within 220°
- Bezel is sealed with an O-ring to keep out water/oil

unit: mm



Mass: 45g (40g)
 () : Compact Type

Recommended Accessories

M050
 Magnetic Base - Standard

M051
 Magnetic Base - Deluxe - One Lock

Q430
 Magnetic Base - Small

Q435
 Magnetic Base - Large



Product Brochure For M083

sales@machineryhouse.com.au
www.machineryhouse.com.au

Q4351

Magnetic Base - Large



Q436

Magnetic Base - One Lock
(Large)

