

Product Brochure For C0998

## MP-10247 - Vertical Toggle Clamp

450kg Capacity

**Ex GST**  
**\$32.00**

**Inc GST**  
**\$35.20**



ORDER CODE:	C0998
MODEL:	MP-10247
Type:	Vertical & Toggle Clamp
Table Height with Stand (mm):	~
Suits Table Size:	~
Material Finish:	~
Clamping Capacity:	450kg
Locking Handle - Pivot Movement:	70°
Clamp Bar - Pivot Movement:	135°
Plunger Travel (mm):	~
Throat Depth (mm):	~
Opening (mm):	~
Size:	~
Quantity Per Pack (No.):	1
Thread:	~
Number of Holes (No.):	~
Slot Length (mm):	~
Pull Force (kg):	~
Clamping Force (kg):	~
Suits:	~
Over all Length:	~
Nett Weight (kg):	1.25

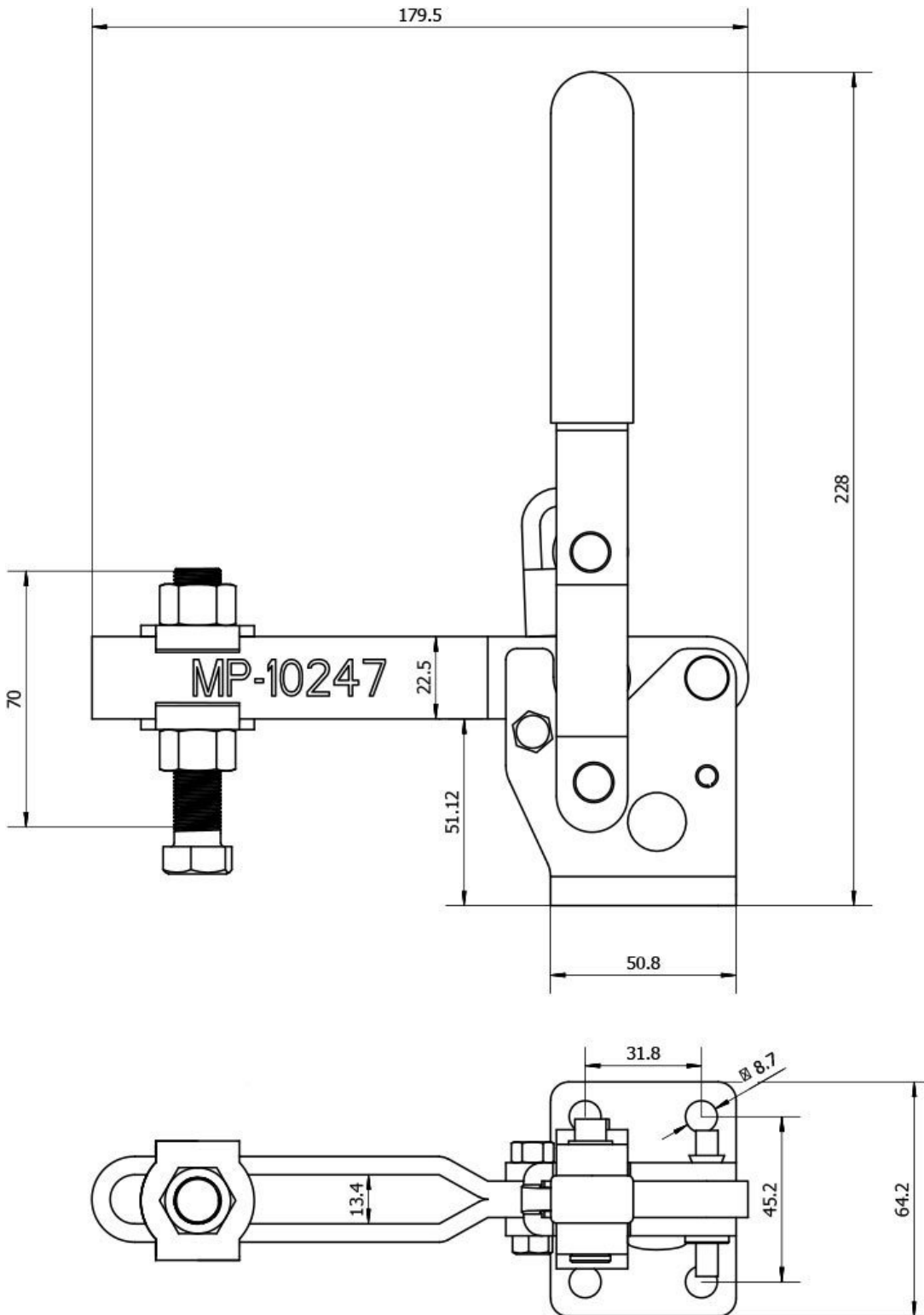


### Features

- MP-10247 - Vertical Toggle Clamp
- Holding capacity: 450kg
- Handle moves: 70°
- Bar moves: 135°
- Weight: 1.25kg

Product Brochure For C0998

sales@machineryhouse.com.au  
www.machineryhouse.com.au



Product Brochure For C0998

**Specific Features**



Open

**Recommended Accessories**

C1001  
Vertical Toggle Clamp

C100  
Vertical Toggle Clamp

C0999  
Vertical Toggle Clamp

C1003  
Horizontal Toggle Clamp

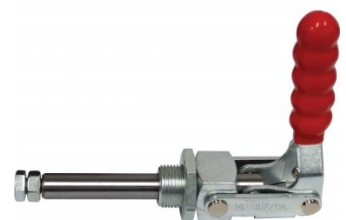


C1005  
Horizontal Toggle Clamp

C1006  
Horizontal Toggle Clamp

C1008  
Straight Line Toggle Clamp

C1011  
Straight Line with Threaded Collar Toggle Clamp



Product Brochure For C0998

[sales@machineryhouse.com.au](mailto:sales@machineryhouse.com.au)  
[www.machineryhouse.com.au](http://www.machineryhouse.com.au)

C1009

Straight Line Toggle Clamp

C1010

Straight Line Toggle Clamp

