

Product Brochure For G616

LG-13 - Lathe Safety Chuck Guard

330mm Centre Height

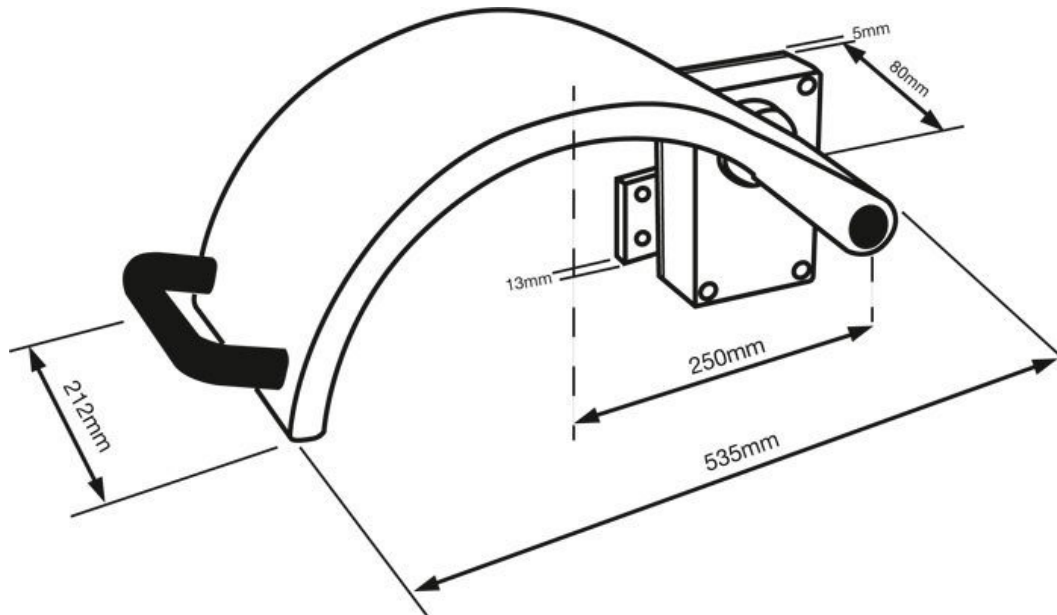
Ex GST	Inc GST
\$290.00	\$319.00

ORDER CODE:	G616
MODEL:	LG-13
Guard Type:	Safety Chuck Guard
Material Type:	Steel
Leadscrew Cover Width (mm):	~
Suits Lathe - Distance Between Centres (mm):	~
Suits Lathe Centre Height (mm):	330
Suits Lathe Chuck Size Max. (mm):	Ø400



Features

- Retro fits to lathe headstock with a 330mm centre height
- Suits up to Ø400mm lathe chucks
- Swivel steel safety chuck guard with handle
- Includes safety chuck guard, mounting bracket with micro switch and wiring
- Micro switch recommended for 12V or 24V
- Installation required by a licensed electrician



Specific Features



Includes Micro and wiring



Shown in the Up Position