

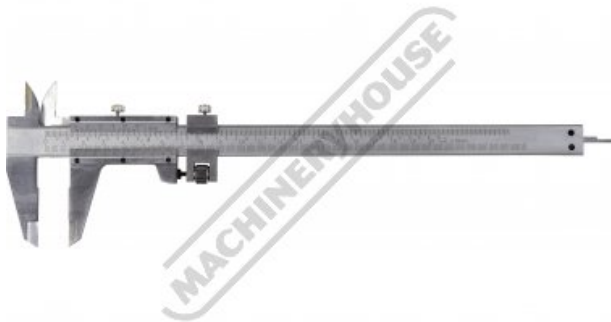
Product Brochure For M725

## M725 - Vernier Caliper

200mm / 8"  
 Fine Adjuster

**Ex GST**  
**\$39.00**

**Inc GST**  
**\$42.90**



ORDER CODE:	M725
Range:	0 - 200mm / 0 - 8"
Graduations:	0.02mm / 0.001"
Accuracy (mm):	±0.03
A (mm):	50
B (mm):	24
C (mm):	18
D (mm):	16
L (mm):	305
4 Way (Yes / No):	Yes



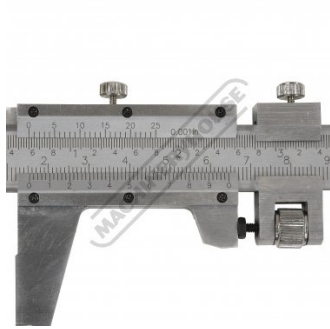
### Features

- Manufactured from stainless steel
- Measuring faces are ground and lapped
- Graduations are clear and easy to read
- Both metric and imperial graduations
- 4-way measuring
- Fine Adjustment
- All models have a position lock

**Specific Features**



Internal-External Measuring Jaws



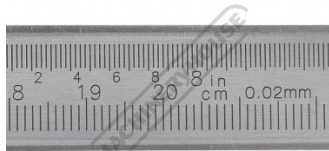
Vernier Head Lock Screw & Fine Adjustments



Height Measuring Slide



Depth Measuring Blade



Metric-Imperial Scale