

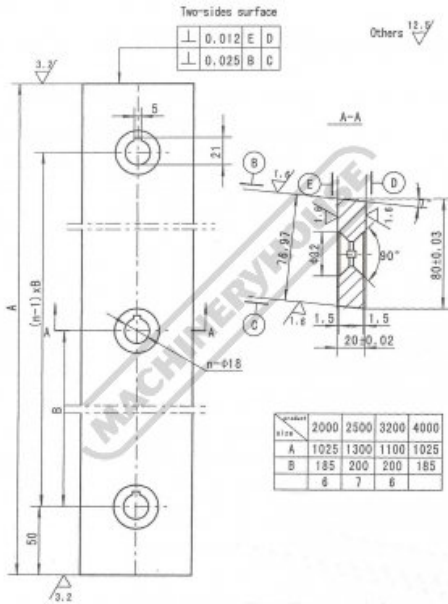
Product Brochure For S9987

## GB-110.8020 - 3200mm Sheet Metal Guillotine Blade Set - 6CrW2Si

1100 x 80 x 20mm  
 Top & Bottom Blade Set

**Ex GST**                      **Inc GST**  
**\$2,650.00**                **\$2,915.00**

ORDER CODE:	S9987
MODEL:	GB-110.8020
Suits Guillotine Cut Length (mm):	3200
Blade Size (mm):	1100 x 80 x 20
Blade Material:	6CrW2Si
Top Blade Set:	3 Piece
Bottom Blade Set:	3 Piece



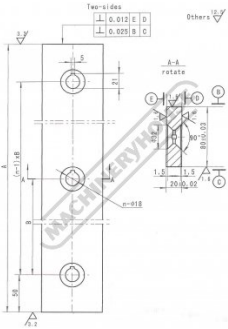
### Description

Blades made from 6CrW2Si material suitable for cutting stainless steel

### Includes

- Top & Bottom Blade Set

### Specific Features



Bottom Blade

### Recommended Accessories

#### S960

Hydraulic NC Guillotine - Variable Rake

#### S960S

Hydraulic NC Guillotine - Variable Rake

