

Product Brochure For M081

## 513-517T - Dial Indicator - Metric

0 - 0.8mm Travel

**Ex GST**  
**\$207.27**

**Inc GST**  
**\$228.00**



ORDER CODE:	M081
Range:	0 - 0.8mm
Graduations:	0.01mm
A (mm):	~
B (mm):	~
B1 (mm):	~
C (mm):	~
D (mm):	~
d (mm):	~
E (mm):	~
F (mm):	~
G (mm):	~
H (mm):	~
I (mm):	~
J:	~
K (mm):	~
L (mm):	~
L1 (mm):	~
Ø (mm):	~

Mitutoyo



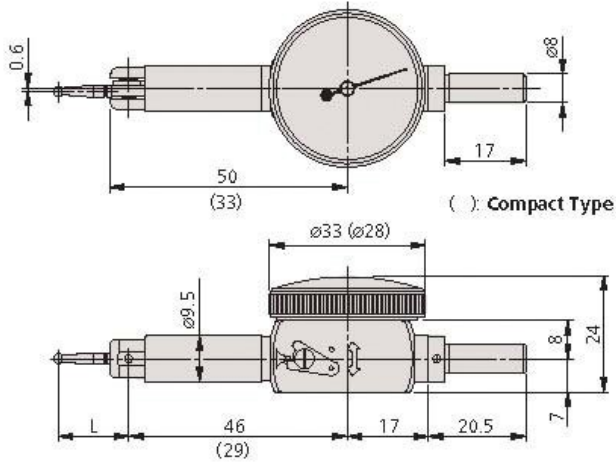
### Description

Mitutoyo dial indicator

### Features

- Jewelled bearings assure higher sensitivity and accuracy
- Reversible measuring direction
- Fully adjustable bezel/dial face
- Two holding bars are supplied
- Contact point is adjustable within 220°
- Bezel is sealed with an O-ring to keep out water/oil

unit: mm



Mass: 45g (40g)  
 ( ) : Compact Type

**Specific Features**



Parts

Product Brochure For M081

sales@machineryhouse.com.au  
www.machineryhouse.com.au

**Recommended Accessories**

M050  
Magnetic Base - Standard



M051  
Magnetic Base - Deluxe - One Lock



Q430  
Magnetic Base - Small



Q435  
Magnetic Base - Large



Q4351  
Magnetic Base - Large



Q436  
Magnetic Base - One Lock (Large)

