

## LG-7 - Lathe Safety Chuck Guard

178mm Centre Height

|                 |                 |
|-----------------|-----------------|
| <b>Ex GST</b>   | <b>Inc GST</b>  |
| <b>\$180.00</b> | <b>\$198.00</b> |

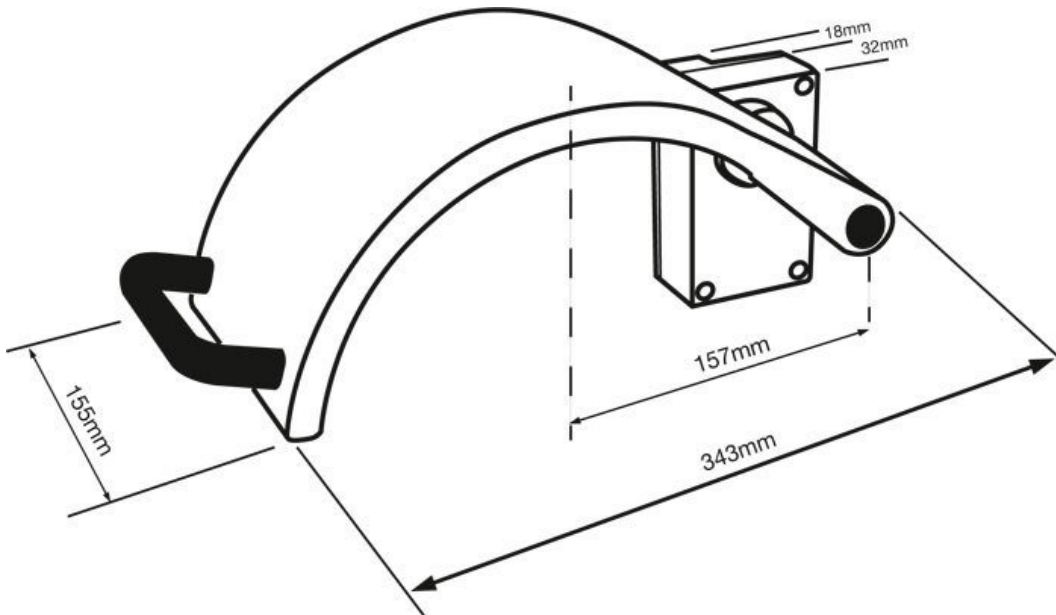


|  |                    |
|--|--------------------|
| ORDER CODE:                                  | G610               |
| MODEL:                                       | LG-7               |
| Guard Type:                                  | Safety Chuck Guard |
| Material Type:                               | Steel              |
| Leadscrew Cover Width (mm):                  | ~                  |
| Suits Lathe - Distance Between Centres (mm): | ~                  |
| Suits Lathe Centre Height (mm):              | 178                |
| Suits Lathe Chuck Size Max. (mm):            | Ø200               |



### Features

- Retro fits to lathe headstock with a 178mm centre height
- Suits up to Ø200mm lathe chucks
- Swivel steel safety chuck guard with handle
- Includes safety chuck guard, mounting bracket with micro switch and wiring
- Micro switch recommended for 12V or 24V
- Installation required by a licensed electrician



### Specific Features



Includes Micro and wiring



Shown in the Up Position