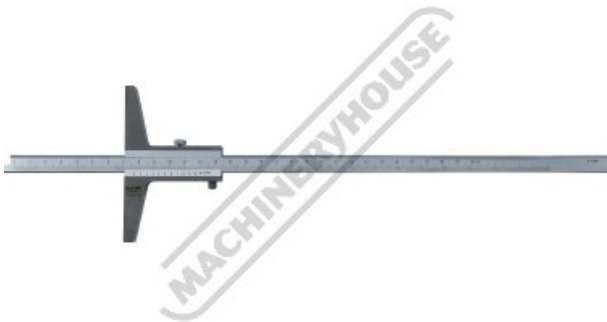


33-2365 - Vernier Depth Gauge

0-300mm

Ex GST	Inc GST
\$120.00	\$132.00

ORDER CODE:	Q2365
Range (mm):	0 - 300
Accuracy (mm):	±0.06
Graduations (mm):	0.05
H (mm):	102
H1 (mm):	11.5



Description

The Measumax Vernier Depth Gauge is suitable for depth measurement. Instruments are manufactured to ISO 10012:2003.

Features

- Mono block stainless steel construction
- With screw at the back of the far end of the caliper bar
- Internal & external depth measurement
- Clear laser engraved graduations
- Supplied in plastic case

Specific Features



Head