

## Product Brochure For S228

### PHM-560MK2 - Power Hammer

1.2mm Mild Steel Capacity  
 560mm Throat Depth

**Ex GST**  
**\$4,950.00**

**Inc GST**  
**\$5,445.00**



ORDER CODE:	S228
MODEL:	PHM-560MK2
Machine (Type):	Power Hammer
Mild Steel - Capacity (mm / Gauge):	1.2 / 18
Aluminium - Capacity (mm / Gauge):	1.6 / 16
Cubic feet per minute (CFM):	~
Tooling Height Adjustment (mm):	~
Throat Depth (mm):	560
Length of Stroke Adjustment (mm):	~
Radius Anvil Sizes (mm):	~
Speed - blows per minute (BPM):	0 - 960 (Variable)
Air Consumption (CFM):	~
Working Height (mm):	~
Air Pressure (psi):	~
Motor Power (kW / hp):	1.1 / 1.5
Voltage / Amperage (V / amp):	240 / 10
Nett Weight (kg):	195



#### Description

At last, there's an affordable solution for metal shaping. The PHM-560MK2 Metalmaster Electric Power Hammer was designed to have all the features of larger machines without the price tag. The ability to switch between rigid and non-rigid modes to suit your project makes this machine even more flexible. Only limited by your imagination the PHM-560MK2 can shrink, stretch, dome, edge turn, bead and form louvers, ideal for shaping sheet metal for cars, motorbikes & airplane panels. It has a 12mm thick steel fabricated upper frame and is supplied with an extensive range of CR12 hardened steel dies for shaping steel and nylon dies for forming softer metals like aluminium. It has variable speed via inverter control, with 0-960 strokes per minute and the capability of shaping up to 1.2mm thick sheet mild steel and up to 1.6mm thick sheet aluminium.

#### Features

- Capacity - 1.2mm thick sheet mild steel
- Quick change tool holder
- Variable speed via inverter control, 0 - 960 blows per minute
- 560mm throat depth capacity
- 395mm throat height capacity
- Foot pedal control with emergency stop
- Steel fabricated upper frame - 12mm thick plate
- Steel fabricated lower box section steel frame
- Drive shafts have bronze bushes & greasing points
- Adjustable heavy duty single arm length stop with 1 round roller & guide fence
- Safety magnetic power switch
- Steel dies made from CR12 steel & hardened
- Nylon dies made from durable nylon
- 1.1kW / 1.5hp, 240V motor

#### Includes

- STEEL DIES
- 1 x Set of Universal holders (16mm opening) for custom tooling
- 1 x Roller guide for concave or convex shapes
- 1 x Set of Thumbnail shrinking dies
- 1 x Set of Louvre dies
- 3 x Sets of Steel beading dies (1/4", 3/8", 1/2")
- 1 x Linear stretching die

## Product Brochure For S228

- 1 x Flat upper hammer die
- 16 x Radius lower dies - 3/4", 7/8", 1", 1-1/8", 1-1/2", 1-7/8", 2", 3", 4", 5", 6" (1/16" radius edge), 6" radius (1/4" radius edge), 8", 14-1/2", 24", 36".
- NYLON DIES
- 1 x Flat upper hammer die
- 13 x Radius lower dies - 3/4", 7/8", 1-1/8", 1-1/2", 1-7/8", 4", 5", 6" (1/16" radius edge), 6" (1/4" radius edge), 8", 14-1/2", 24", 36"

### Specific Features



Quick Change Tooling



Reinforced 12mm Frame



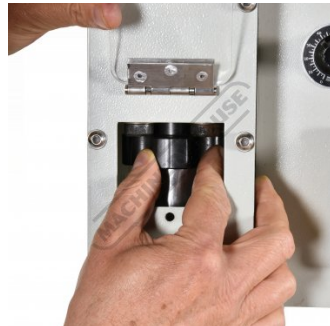
Die Holder Storage



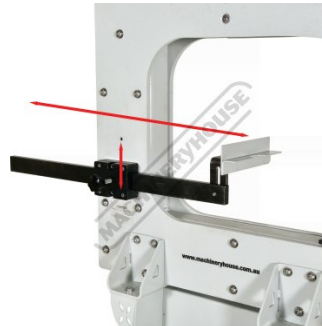
Hand Wheel Top Adjusting Tooling



Setting-Locking Depth



Switching Hammer Mode



Stop Adjustable Depth-Position



Adjustable Depth Stop Height



Round Roller Guide



Die Height Adjustment



Controls



Foot Control

Product Brochure For S228



Emergency Stop



1.5KW 1.5hp 240V Motor



Grease Points



Adjusting Tools Included



Die Holders



Die Holders



Custom Die Holders



Full Die Set-Accessories

**Recommended Accessories**

S223

Straight Steel T-Dolly Set Small  
 - 5 Piece



S2231

Straight Steel T-Dolly Set Large  
 - 2 Piece



S2232

Tapered Steel T-Dolly Set - 3  
 Piece



S2233

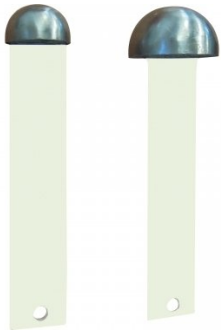
Curved Steel Dolly Set - 3 Piece



Product Brochure For S228

S2234

Mushroom Steel Dome Dolly Set  
 - 2 Piece



S2235

Mushroom Steel Dome Dolly Set  
 - 2 Piece



S2236

Oval Steel Dolly



S2237

Bowl Steel Dome Dolly



S2239

Dolly Stand Holder



S2238

Steel Dolly Stand



S2240

Round Steel Table for Sand Bag



S214

Rectangle Leather Bag - Steel Shot Filled



S212

Rectangle Leather Bags - Sand Filled



S210

Round Leather Bags - Sand Filled



H885

Auto Panel Restoration Kit - DIY



H886

Auto Panel Restoration Kit - Professional



Product Brochure For S228

[sales@machineryhouse.com.au](mailto:sales@machineryhouse.com.au)  
[www.machineryhouse.com.au](http://www.machineryhouse.com.au)

H887

Auto Panel Restoration Kit -  
Master

