

Product Brochure For C413

CW-150 - Industrial Caster Wheel Set

Ø150mm Wheels
 2 x Fixed, 2 x Swivel/Brake

Ex GST
\$160.00

Inc GST
\$176.00



ORDER CODE:	C413
MODEL:	CW-150
Quantity of Wheels in Pack (No.):	4
Wheel Type:	2 Fixed, 2 Swivel/Brake
Wheel Diameter (mm):	Ø150
Wheel Width (mm):	50
Total Height to Top of Plate (mm):	~
Load Capacity per Wheel (kg):	450
Load Capacity per Set (kg):	1800
Nett Weight (kg):	16



Description

Industrial quality & Ø150mm castor wheels, Tyre is made from tough elastic rubber with an load capacity of up to 450kg per castor.

Features

- Ø150mm x 50mm wide steel wheel with bonded polyurethane
- 2 x fixed wheels
- 2 x swivel wheels with brake
- 450kg each wheel capacity
- Brake also locks wheel from swivelling
- Swivel base incorporates ball bearings
- Ball bearing sealed race on main shaft
- Mounting plate 114 x 102mm with 4 slotted holes

Product Brochure For C413

Specific Features



Ball Bearings Base with Greasing Nipple



Foot Brake With Swivel Base Lock



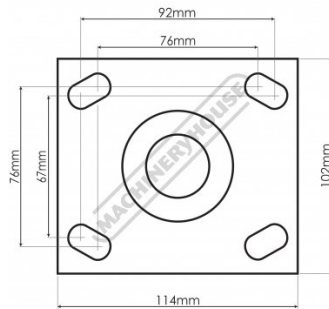
Foot Brake Activated



Foot Brake Released



Top View



Base Diagram

Recommended Accessories

A380
 Steel Work Bench - 3 x Lockable
 Drawers

