

## C855 - ER25 Collet

Ø2-Ø1mm  
 "Made in Taiwan"

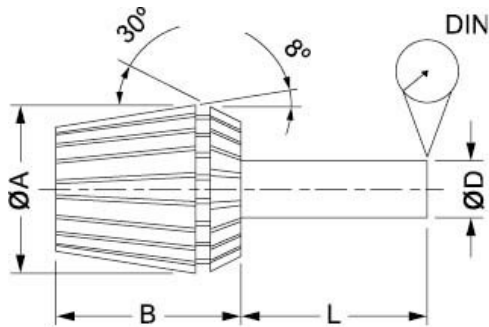
<b>Ex GST</b>	<b>Inc GST</b>
<b>\$22.00</b>	<b>\$24.20</b>

ORDER CODE:	C855
Type:	ER25
Metric Size (mm):	2 - 1
Imperial Size (inch):	~



### Features

- Manufactured to DIN standard
- Collet size covers a range from expanded to compressed
- Collets from 2mm have 1mm of movement
- Collets are listed by their expanded size
- Eg. When ordering an ER32-3 the range is from 3mm expanded to 2mm compressed



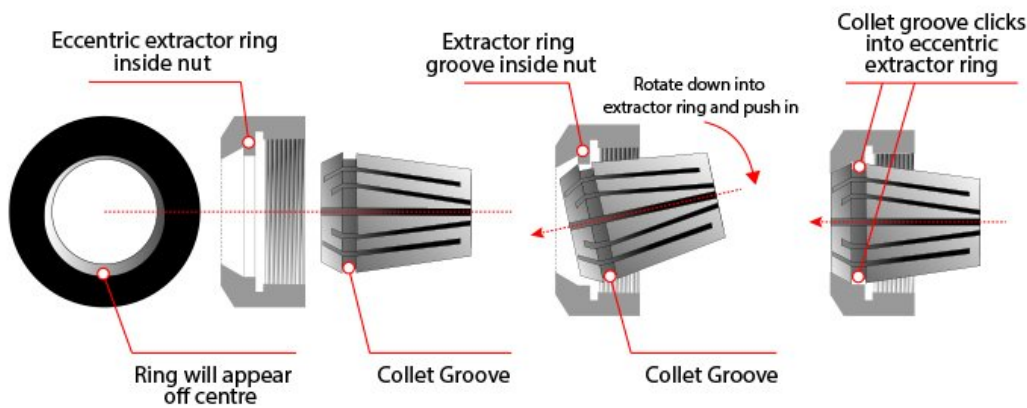
Collet	A	B	L	DIN	RANGE (D)
ER11	11.5	18	6	0.02	0.5-7.0
ER16	17	27	10	0.02	0.5-10.0
ER20	21	31	16	0.02	1.0-13.0
ER25	26	35	25	0.02	1.0-16.0
ER32	33	40	40	0.02	2.0-20.0
ER40	41	46	50	0.03	3.0-26.0

**Installation Guide** - Please see downloads for full details

**1.**

**2.**

**3.**



**Recommended Accessories**

**C860**  
 ER25 Collet Set - 15 Piece

**C864**  
 25 x 150 x ER25 Collet Chuck - Straight

**C861**  
 ER25 Collet Chuck Wrench

**T214**  
 BT40 x ER25-70 Collet Chuck



Product Brochure For C855

[sales@machineryhouse.com.au](mailto:sales@machineryhouse.com.au)  
[www.machineryhouse.com.au](http://www.machineryhouse.com.au)

T215

BT40 x ER25-100 Collet Chuck

