

Product Brochure For C412

## CW-125S - Industrial Caster Wheels

Ø125mm Wheels  
 2 x Swivel/Brake



<b>Ex GST</b>	<b>Inc GST</b>
<b>\$90.00</b>	<b>\$99.00</b>

ORDER CODE:	C412
MODEL:	CW-125S
Quantity of Wheels in Pack (No.):	2
Wheel Type:	2 Swivel/Brake
Wheel Diameter (mm):	Ø125
Wheel Width (mm):	50
Total Height to Top of Plate (mm):	165
Load Capacity per Wheel (kg):	410
Load Capacity per Set (kg):	820
Nett Weight (kg):	8

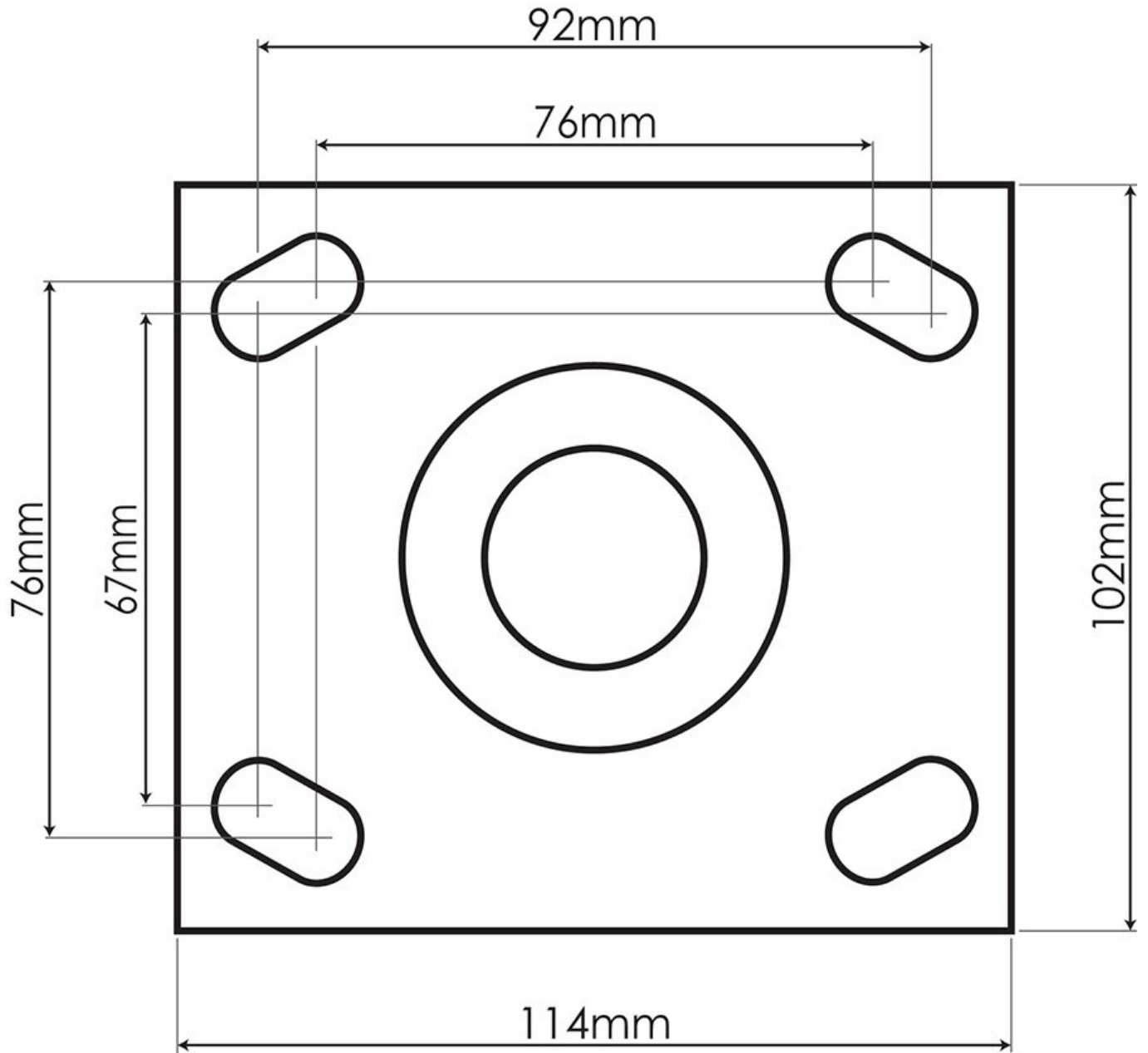


### Description

Industrial quality & Oslash; 125mm castor wheels, Tyre is made from tough elastic rubber with an load capacity of up to 410kg per castor.

### Features

- Ø125mm x 50mm wide steel wheel with bonded polyurethane
- 2 x swivel wheels with brake
- 410kg each wheel capacity
- Brake also locks wheel from swivelling
- Swivel base incorporates ball bearings
- Ball bearing sealed race on main shaft
- 165mm overall height from base of wheel to top of plate
- Mounting plate 114 x 102mm with 4 slotted holes



### Specific Features



Foot Brake Activated



Foot Brake Released



Top View



Ball Bearings Base with Greasing Nipple



Foot Brake With Swivel Base Lock

### Recommended Accessories

A380

Steel Work Bench - 3 x Lockable  
Drawers

