

Product Brochure For C411

CW-125 - Industrial Caster Wheel Set

Ø125mm Wheels
 2 x Fixed, 2 x Swivel/Brake

Ex GST
\$130.00

Inc GST
\$143.00



ORDER CODE:	C411
MODEL:	CW-125
Quantity of Wheels in Pack (No.):	4
Wheel Type:	2 Fixed, 2 Swivel/Brake
Wheel Diameter (mm):	Ø125
Wheel Width (mm):	50
Total Height to Top of Plate (mm):	165
Load Capacity per Wheel (kg):	410
Load Capacity per Set (kg):	1640
Nett Weight (kg):	16



Description

Industrial quality Ø125mm caster wheels, Tyre is made from tough elastic rubber with an load capacity of up to 410kg per caster.

Features

- Ø125mm x 50mm wide steel wheel with bonded polyurethane
- 2 x fixed wheels
- 2 x swivel wheels with brake
- 410kg each wheel capacity
- Brake also locks wheel from swivelling
- Swivel base incorporates ball bearings
- Ball bearing sealed race on main shaft
- 165mm overall height from base of wheel to top of plate
- Mounting plate 114 x 102mm with 4 slotted holes

Product Brochure For C411

Specific Features



Ball Bearings Base with Greasing Nipple



Foot Brake With Swivel Base Lock



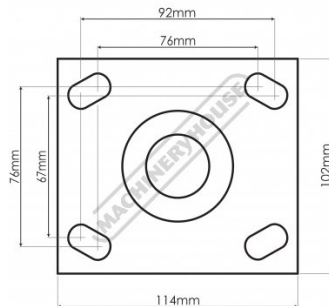
Foot Brake Activated



Foot Brake Released



Top View



Base Diagram

Recommended Accessories

W935

Caster Wheels - Side Mount

C410

Heavy Duty Caster Wheel Set

