

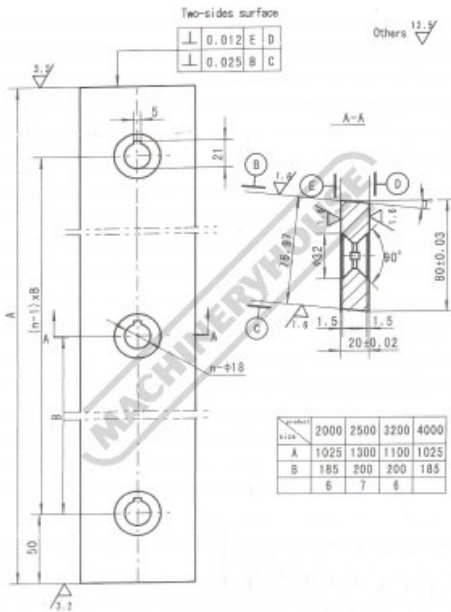
Product Brochure For S9986

GB-130.8020 - 2540mm Sheet Metal Guillotine Blade Set - 6CrW2Si

1300 x 80 x 20mm
 Top & Bottom Blade Set

Ex GST **Inc GST**
\$2,500.00 **\$2,750.00**

ORDER CODE:	S9986
MODEL:	GB-130.8020
Suits Guillotine Cut Length (mm):	2540
Blade Size (mm):	1300 x 80 x 20
Blade Material:	6CrW2Si
Top Blade Set:	2 Piece
Bottom Blade Set:	2 Piece



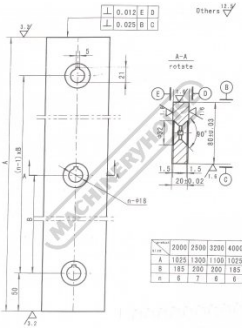
Description

Blades made from 6CrW2Si material suitable for cutting stainless steel

Includes

- Top & Bottom Blade Set

Specific Features



Bottom Blade