

Product Brochure For T767

## TC-800 - Industrial Tooling Cabinet

723 x 653 x 800mm  
 100kg per Drawer

**Back In Stock Soon**

<b>Ex GST</b>	<b>Inc GST</b>
<b>\$850.00</b>	<b>\$935.00</b>



ORDER CODE:	T767
MODEL:	TC-800
Number of Drawers (No.):	6
Drawer Load Capacity (kg):	100
Maximum Total Load Capacity (kg):	600
Includes Backing Panel:	~
Dimensions (W x D x H) (mm):	723 x 653 x 800
Nett Weight (kg):	102



### Features

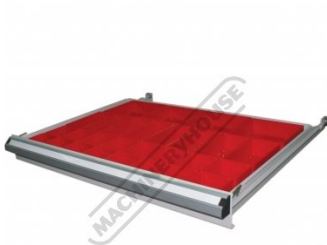
- Heavy duty tooling cabinets, ideal for industrial applications and serious workshops
- The sliding drawers are a welded strengthened single rail design coupled with high quality mechanical bearings for long lasting smooth operation
- Each drawer is rated at 100kg load capacity with 97% drawer access and a total of 600kg maximum load capacity
- Single Key lock design for safe storage. Each drawer has a mechanical safety lock which allows one drawer to be opened at a time, preventing the cabinet to tip over
- All top drawers include a series of different size plastic boxes for those small items, all other drawers come with adjustable steel dividers
- The optional steel frame backing panel with rubber protective base cover is great to rest tooling and precious parts on top of the cabinet

### Includes

- Top Drawer - 75mm high with moveable plastic division boxes
- Drawer 2 - 75mm high with moveable steel dividers 4x3 layout
- Drawer 3 & 4 - 100mm high with moveable steel dividers 4x3 layout
- Drawer 5 - 150mm high with moveable steel dividers 4x3 layout
- Drawer 6 - 200mm high with moveable steel dividers 4x3 layout

Product Brochure For T767

**Specific Features**



Top Drawer with Plastic Buckets



Drawers with Steel Dividers



Plastic Bucket Drawers



Heavy Duty Drawers



Drawer Locking Mechanism



Drawer Lock Bracket



Drawer in Lock Position



Drawer in Unlock Position



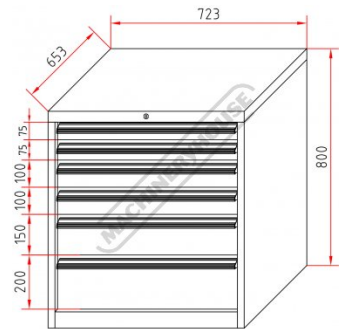
Heavy Duty Drawer Slides



Drawers with Safety Lock



Drawer Ball Bearing Arms



Diagram

Product Brochure For T767

sales@machineryhouse.com.au  
 www.machineryhouse.com.au

**Recommended Accessories**

**T768**  
 Industrial Mobile Tooling Cabinet



**K068**  
 Industrial Mobile Tooling Cabinet with Backing Panel Package Deal



**T783**  
 Steel Frame Backing Panel



**T779**  
 Handle



**T776**  
 Wheel Kit - Ø125mm



**A427**  
 Plastic Bucket



**A428**  
 Plastic Bucket



**A429**  
 Plastic Bucket



Product Brochure For T767

T784  
Steel Divider

T784A  
Slotted Rail

T786  
Steel Divider

T786A  
Slotted Rail

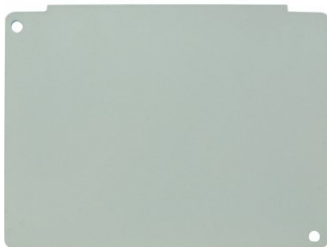


T787  
Steel Divider

T787A  
Slotted Rail

T788  
Steel Divider

T788A  
Slotted Rail



T703  
Magnetic Spray Can &  
Screwdriver Holder

H820  
Metric Hex Key Set with T-Bar  
Handle

H821  
Imperial Hex Key Set with T-Bar  
Handle

H822  
Torx® Key Set with T-Bar  
Handle



Product Brochure For T767

08048  
Folding Utility Knife



D1272  
Metric Precision HSS Drill Set -  
25 Piece



D1282  
Imperial Precision HSS Drill Set  
- 29 Piece



D1285  
Metric Precision HSS Drill Set -  
51 Piece



D1071  
HSS Sheet Metal Step Drill Set -  
3 Piece



D1051  
HSS Countersink Set - 4 Piece



D1061  
HSS Countersink Set 6 Piece



D508  
HSS Industrial Centre Drill Set -  
5 Piece



D070  
Drill Sharpener



H880  
Dead Blow, Nylon Face  
Hammer



H870  
Soft Face Hammer



H875  
Soft Face Hammer - 5 piece



Product Brochure For T767

**H885**  
Auto Panel Restoration Kit - DIY



**H886**  
Auto Panel Restoration Kit - Professional



**H887**  
Auto Panel Restoration Kit - Master



**M988**  
Metric & Imperial Drill Gauge



**Q616**  
Feeler Gauge Set



**T012**  
Metric Alloy Steel Tap & Die Set - 32 Piece



**T013**  
Metric HSS Tap & Die Set - 32 Piece



**T014**  
Metric Alloy Steel Tap & Die Set - 45 Piece



**T015**  
Imperial Alloy Steel Tap & Die Set - 45 Piece



**T016**  
Metric HSS Tap & Die Set - 45 Piece



**T870**  
Screw Extractor Set - 10 piece



**T119**  
Metric Thread Restorer File



Product Brochure For T767

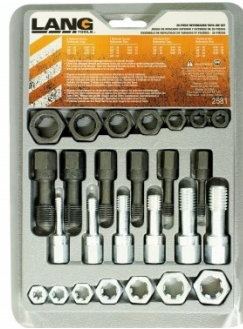
**T120**  
 Imperial Thread Restorer File



**T100**  
 Metric Thread Repair Kit - 130 Piece



**T116**  
 Imperial Thread Restorer Tap & Die Kit - 26 Piece Set



**T115**  
 Metric Thread Restorer Tap & Die Kit - 15 Piece



**T117**  
 Metric, UNC, UNF Thread Restorer Tap & Die Kit - 48 Piece



**D108**  
 Metric Carbide Tipped Hole Saw Set



**D102**  
 Metric HSS Hole Saw Set



**F100**  
 Engineers Files, 5 Piece Set - Second Cut



**F120**  
 Engineers File, Flat - Coarse Cut



**F121**  
 Engineers File, Flat - Second Cut



**F122**  
 Engineers File, Flat - Smooth Cut



**F124**  
 Engineers File, Half Round - Coarse Cut



Product Brochure For T767

F125

Engineers File, Half Round - Second Cut



F126

Engineers File, Half Round - Smooth Cut



F127

Engineers File, Round - Coarse Cut



F128

Engineers File, Round - Second Cut



F129

Engineers File, Round - Smooth Cut



F160

Slapping File - Second Cut



F150

Flexible Body File Holder



F155

Flexible Body File



F156

Flexible Body File



P112

Hole Punch Set



S203

180° Straight Edge/Seaming Plier



S205

90° Edge/Seaming Plier





Product Brochure For T767

**S200**  
 Jogger & Punch Plier



**P368**  
 Automatic Centre Punch



**P367**  
 Centre Punch Set - 3 Piece



**P365**  
 Pin Punch Set - 6 Piece



**P363**  
 Cold Chisel Set - 3 Piece



**P364**  
 Punch & Cold Chisel Set - 14 Piece



**N001**  
 Nut & Blind Riveter Set - 130 Piece



**P350**  
 Letter Punches



**P351**  
 Number Punches



**P354**  
 Letter Punches



**P355**  
 Number Punches



**W103**  
 Engineers Chalk Marker- 50 Splits



Product Brochure For T767

**W104D**

White Liquid Paint Marker -  
Valve Action



**W104E**

Yellow Liquid Paint Marker -  
Valve Action



**W104B**

Silver Streak - Welders Pencil



**W104A**

Orange Trades Marker Refills -  
All Purpose



**W104**

Trades Marker - All Purpose



**W104G**

Silver Streak Refills - Round  
Metal Marker



**W104C**

Silver Streak - Round Metal  
Marker



**D063**

Sheet Metal Deburring Tool



**D060**

Deburring Tool - Telescopic  
Shaft



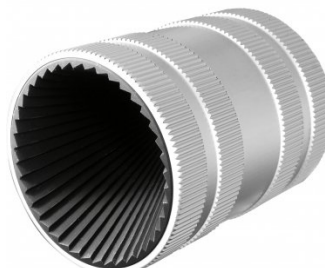
**D065**

Universal Deburring Tool Set -  
23 Piece



**D068**

Pipe/Tube Deburring Tool -  
Internal / External



**B900**

Carbide Burr Double Cut Set -  
Short Series



Product Brochure For T767

**B905**

Carbide Burr Double Cut Set - Long Series



**M0009**

Magnetic Pick Up Tool & Inspection Mirror Set



**L300**

Magnetic Swarf Remover



**P020**

Hydraulic Chassis Punch Set



**M697**

Portable Video Inspection Camera



**W112**

Micro Welding Steel Clamp Set



**W113**

Butt Welding Aluminium & Steel Clamp Set



**W114**

3 Angles Welding Aluminium Clamp Set



**S077**

Drilling, Tapping & Cutting Tool Lubricant Spray - 400g



**S075**

Cutting Tool Lubricant Paste - 200g



**O043**

Rust & Corrosion Preventive - Penetrant & Lubrication



**O042**

General Purpose Lubricant & Corrosion Inhibitor



Product Brochure For T767

**O040**  
 Rust & Corrosion Preventive -  
 Penetrant & Lubrication



**O044**  
 Rust & Corrosion Preventive -  
 Penetrant & Lubrication



**P030**  
 Bush Driver Set - 17 piece



**P031**  
 Bearing Race & Seal Driver Set -  
 10 piece



**P005**  
 Ratcheting Gear Puller Set



**P013**  
 Puller Set with Slide Hammer



**P011**  
 Hydraulic Gear Puller Kit



**A037**  
 Pneumatic Tool Oil



**G076**  
 Top Up Pump



**G077**  
 Oil Transfer Pump



**G040**  
 Oil Transfer Pump



**G065**  
 Suction Gun - Oil Transfer



Product Brochure For T767

G070  
 Grease Gun



G072  
 Grease Gun



G063  
 Grease Gun



G074  
 Air Operated Grease Gun



G066  
 Air Operated Power Pistol - Grease Gun



G068  
 Battery Operated Grease Gun



G060  
 Grease Gun



G067  
 Lithium-ion Battery Operated - Grease Gun



G057  
 Super Blue Complex Grease Cartridge



O002  
 Superdrdraulic Hi Temp 46 Hydraulic Oil

