

## MBR-LST - Louvre Bead Roller Set

6.5mm High x 14mm Width  
 Suits MBR-610 & MBR-1070 Bead Rollers

**Ex GST**  
**\$120.00**

**Inc GST**  
**\$132.00**



ORDER CODE:	S6333
MODEL:	MBR-LST
Part Number:	-
Type:	Louvre Bead Roller Set
Size (inch / mm):	6.5mm High x 14mm Width
Bore Diameter (mm):	Ø20 with Keyway
Spigot Diameter (mm):	-
Shaft Diameter:	-
Capacity (Mild Steel) (mm / Gauge):	1.2 / 18
Material (Type):	Steel
Roller Diameter (mm):	Ø75
Suits:	MBR-610 & MBR-1070 & Bead Rollers



### Description

Roller set made from CR12 steel & Hardened up to 45 HRC

### Includes

- 1 x 6.5mm High x 14mm Wide Louvre Roller Set

Product Brochure For S6333

**Specific Features**



Set



Side View



Top View



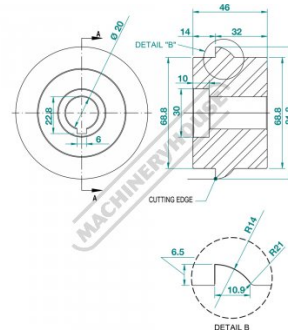
Rear View



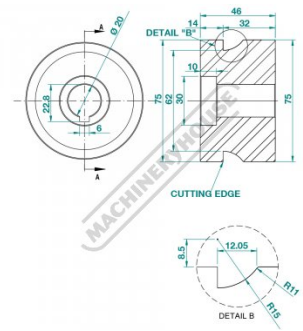
Shown on Machine



Shown on Machine Side View



Dimensions 1



Dimensions 2

**Recommended Accessories**

**S633**

Bead Roller - Motorised Variable Speed



**S634**

Bead Roller - Motorised Variable Speed

