

Product Brochure For S9981

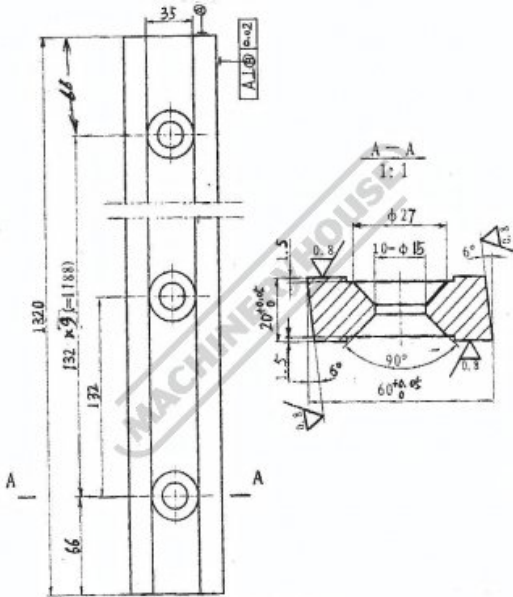
GB-132.6020 - 1320mm Sheet Metal Guillotine Blade Set - 9CrSi

1320 x 60 x 20mm
 Top & Bottom Blade Set

Ex GST
\$590.00

Inc GST
\$649.00

ORDER CODE:	S9981
MODEL:	GB-132.6020
Suits Guillotine Cut Length (mm):	1320
Blade Size (mm):	1320 x 60 x 20
Blade Material:	9CrSi
Top Blade Set:	1 Piece
Bottom Blade Set:	1 Piece



Description

Blades made from 9CrSi material suitable for cutting stainless steel

Includes

- Top & Bottom Blade Set

