

## KL-36020 - Straight Line Toggle Clamp

220kg Capacity

**Ex GST**  
**\$24.00**

**Inc GST**  
**\$26.40**

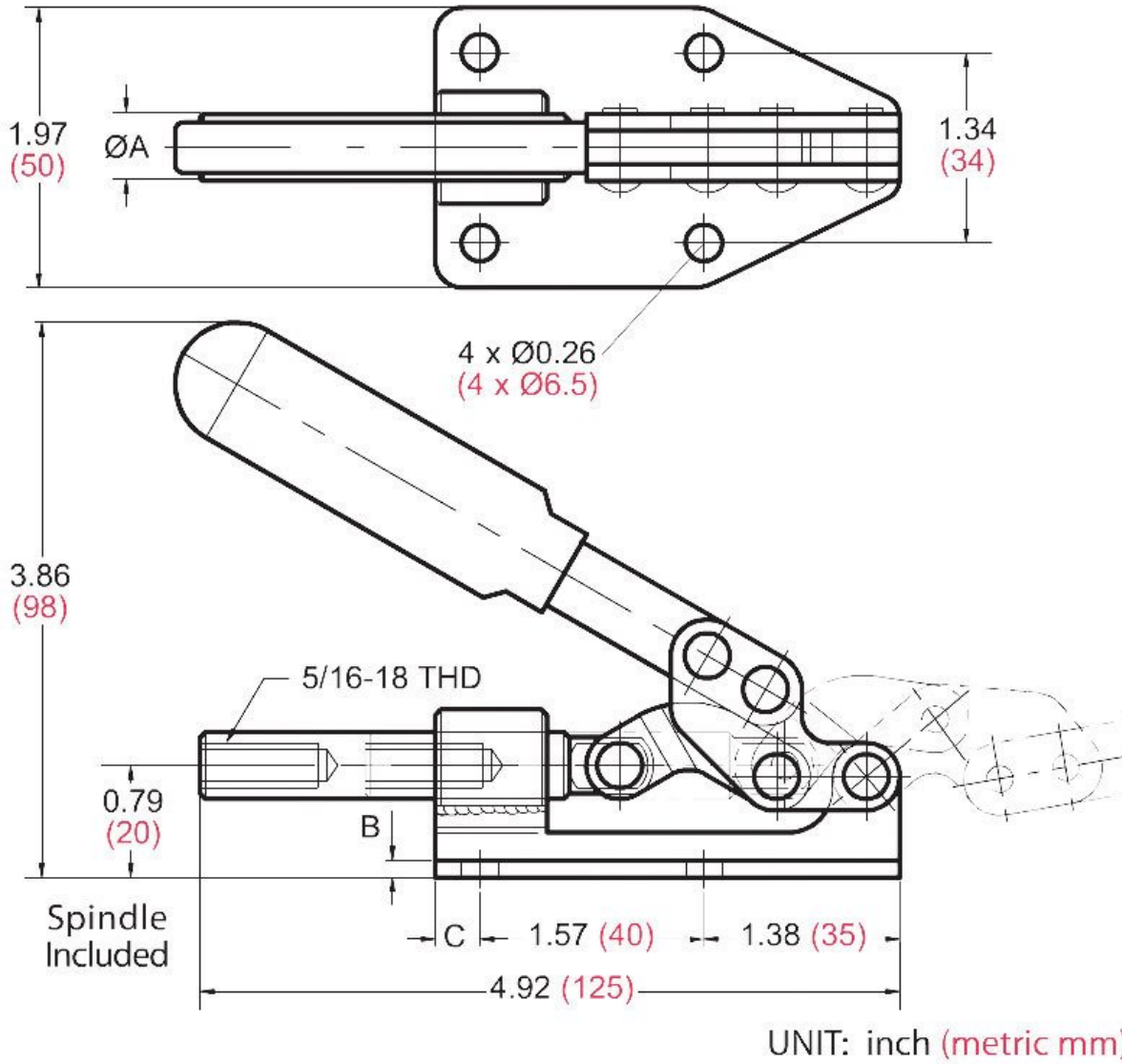


ORDER CODE:	C1008
MODEL:	KL-36020
Type:	Straight Line & Toggle Clamp
Table Height with Stand (mm):	~
Suits Table Size:	~
Material Finish:	~
Clamping Capacity:	220kg
Locking Handle - Pivot Movement:	144.5°
Clamp Bar - Pivot Movement:	~
Plunger Travel (mm):	29.3
Throat Depth (mm):	~
Opening (mm):	~
Size:	~
Quantity Per Pack (No.):	1
Thread:	~
Number of Holes (No.):	~
Slot Length (mm):	~
Pull Force (kg):	~
Clamping Force (kg):	~
Suits:	~
Over all Length:	~
Nett Weight (kg):	0.36



### Features

- KL-36020 - Straight Line Toggle Clamp
- Holding capacity: 220kg
- Handle moves: 144.5°
- Plunger travel: 29.3mm
- Weight: 360g



**Specific Features**



Open Position

**Recommended Accessories**

C1001  
Vertical Toggle Clamp

C100  
Vertical Toggle Clamp

C0999  
Vertical Toggle Clamp

C0998  
Vertical Toggle Clamp



C1003  
Horizontal Toggle Clamp

C1005  
Horizontal Toggle Clamp

C1006  
Horizontal Toggle Clamp

C1011  
Straight Line with Threaded Collar Toggle Clamp



Product Brochure For C1008

[sales@machineryhouse.com.au](mailto:sales@machineryhouse.com.au)  
[www.machineryhouse.com.au](http://www.machineryhouse.com.au)

C1009

Straight Line Toggle Clamp

C1010

Straight Line Toggle Clamp

