

Product Brochure For C1005

KL-225D - Horizontal Toggle Clamp

250kg Capacity

Ex GST
\$18.00

Inc GST
\$19.80

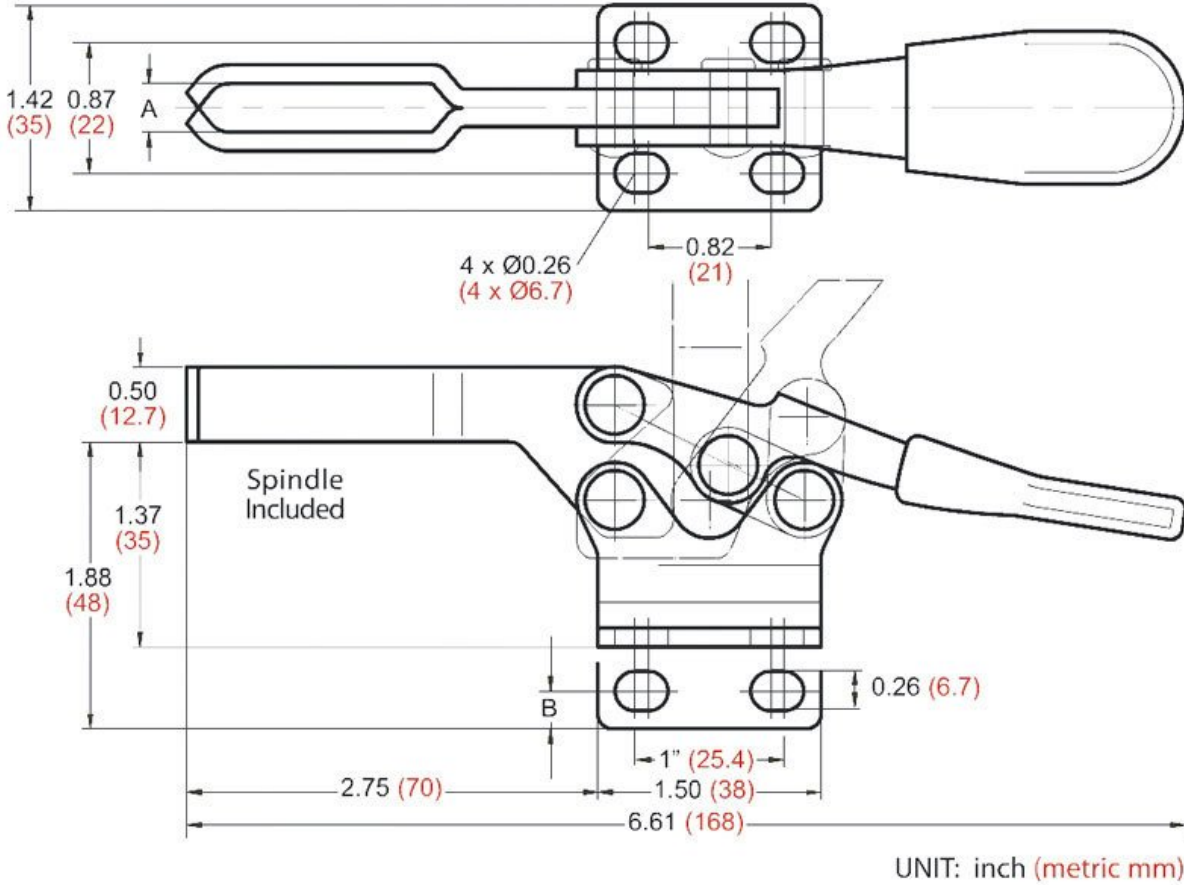


ORDER CODE:	C1005
MODEL:	KL-225D
Type:	Horizontal & Toggle Clamp
Table Height with Stand (mm):	~
Suits Table Size:	~
Material Finish:	~
Clamping Capacity:	250kg
Locking Handle - Pivot Movement:	65°
Clamp Bar - Pivot Movement:	90°
Plunger Travel (mm):	~
Throat Depth (mm):	~
Opening (mm):	~
Size:	~
Quantity Per Pack (No.):	1
Thread:	~
Number of Holes (No.):	~
Slot Length (mm):	~
Pull Force (kg):	~
Clamping Force (kg):	~
Suits:	~
Over all Length:	~
Nett Weight (kg):	0.36



Features

- KL-225D - Horizontal Toggle Clamp
- Holding capacity: 250kg
- Handle moves: 65°
- Bar moves: 90°
- Weight: 360g



Specific Features



Open Position

Recommended Accessories

C1001
 Vertical Toggle Clamp



C100
 Vertical Toggle Clamp



C0999
 Vertical Toggle Clamp



C0998
 Vertical Toggle Clamp



C1003
 Horizontal Toggle Clamp



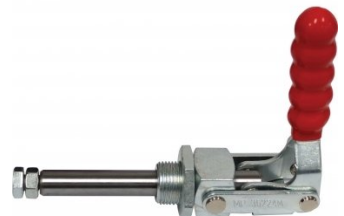
C1006
 Horizontal Toggle Clamp



C1008
 Straight Line Toggle Clamp



C1011
 Straight Line with Threaded Collar Toggle Clamp



Product Brochure For C1005

sales@machineryhouse.com.au
www.machineryhouse.com.au

C1009
Straight Line Toggle Clamp

C1010
Straight Line Toggle Clamp

