

Product Brochure For W07970

## UDV45M - BuildPro Magspring Clamp

83mm Throat Depth  
 75mm Opening

**Ex GST**  
**\$35.00**

**Inc GST**  
**\$38.50**



ORDER CODE:	W07970
MODEL:	UDV45M
Type:	BuildPro & Magspring Clamp
Table Height with Stand (mm):	~
Suits Table Size:	~
Material Finish:	~
Clamping Capacity:	~
Locking Handle - Pivot Movement:	~
Clamp Bar - Pivot Movement:	~
Plunger Travel (mm):	~
Throat Depth (mm):	83mm
Opening (mm):	75mm
Size:	~
Quantity Per Pack (No.):	~
Thread:	~
Number of Holes (No.):	~
Slot Length (mm):	~
Pull Force (kg):	~
Clamping Force (kg):	225
Suits:	~
Over all Length:	~
Nett Weight (kg):	0.45

**BuildPro™**



### Description

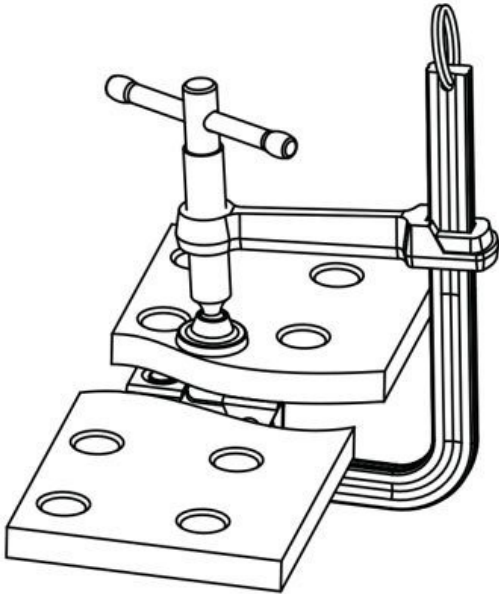
Quick-Set Clamps for fast, convenient clamping.

The spring-loaded, one-handed clamp with quick-set magnetic V-Pad. Squeeze to open, set in position and turn to tighten. 225kg clamping pressure.

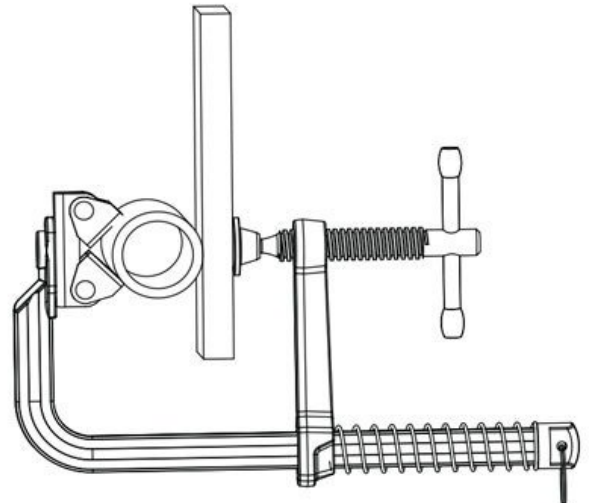
- The Spring Loaded Arm allows users to free up one hand to position the workpiece.
- Once positioned, the Adjustable Magnetic V-Pad holds the clamp to the workpiece for tightening.

The very practical, modular design of the BuildPro®; Table makes it easy to set-up and tear down for job at hand, big or small. Save time and money by holding, positioning and locating quickly and easily with a wide variety of BuildPro®; clamps and accessories.

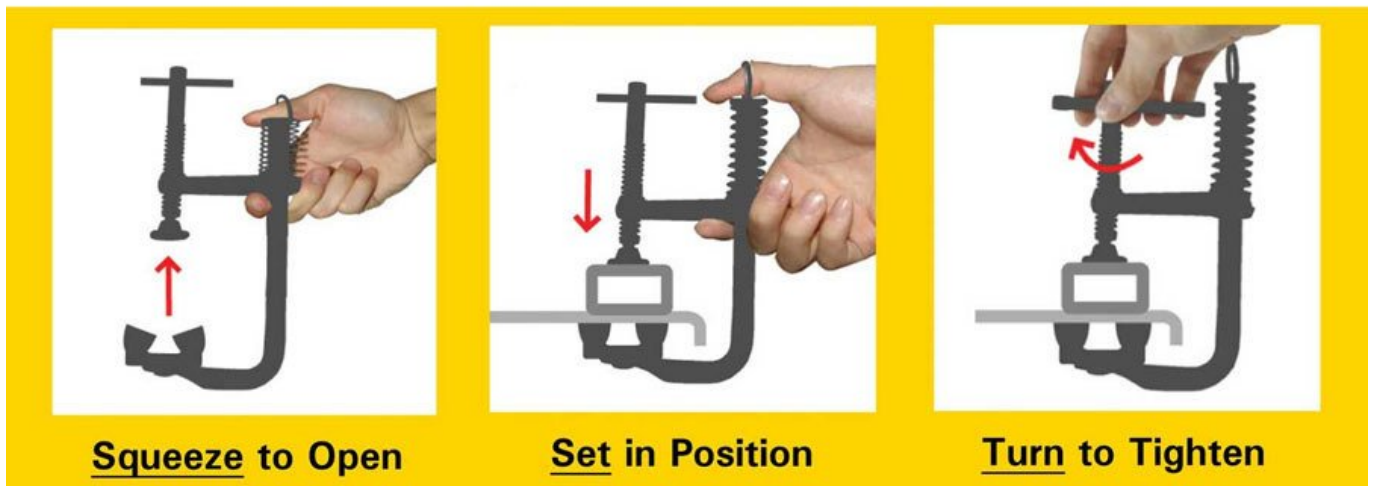
All BuildPro®; Tables have 16mm thick steel plate with &Oslash;16mm holes in a 50mm grid pattern. All tables, except BuildPro®; MAX, have 40mm slots between plates.



Magnetic V-Pad keeps  
Clamp in position on  
steel surfaces.



V-Pad adjusts to hold  
round, flat, and angled  
steel surfaces.



Product Brochure For W07970

**Specific Features**



Shown Using Additional Fixtures



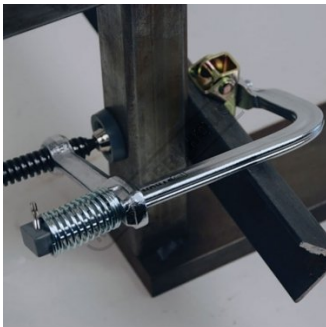
Shown Clamping Tube



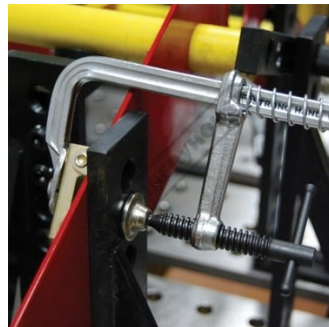
Clamping Round to Square



Spring Loaded Arm



Clamping Angle to Square



Shown Clamping Plate



Instantly adjusts for Different Shapes Round Flat and Angle Steel Surfaces



the Magspring Holds onto Metal Wood and Synthetic Materials

**Recommended Accessories**

W07971  
 BuildPro Magspring Clamp

C0010  
 Ratchet F Clamp

C0012  
 Ratchet F Clamp

C0013  
 Ratchet F Clamp



Product Brochure For W07970

**C0015**  
 Ratchet F Clamp



**W1028**  
 4 In One Utility Clamping System



**W1027**  
 4 In One Utility Clamping System



**W1026**  
 4 In One Utility Clamping System



**W1025**  
 4 In One Utility Clamping System

