

Product Brochure For C100

KL-12130 - Vertical Toggle Clamp

227kg Capacity

Ex GST
\$18.00

Inc GST
\$19.80

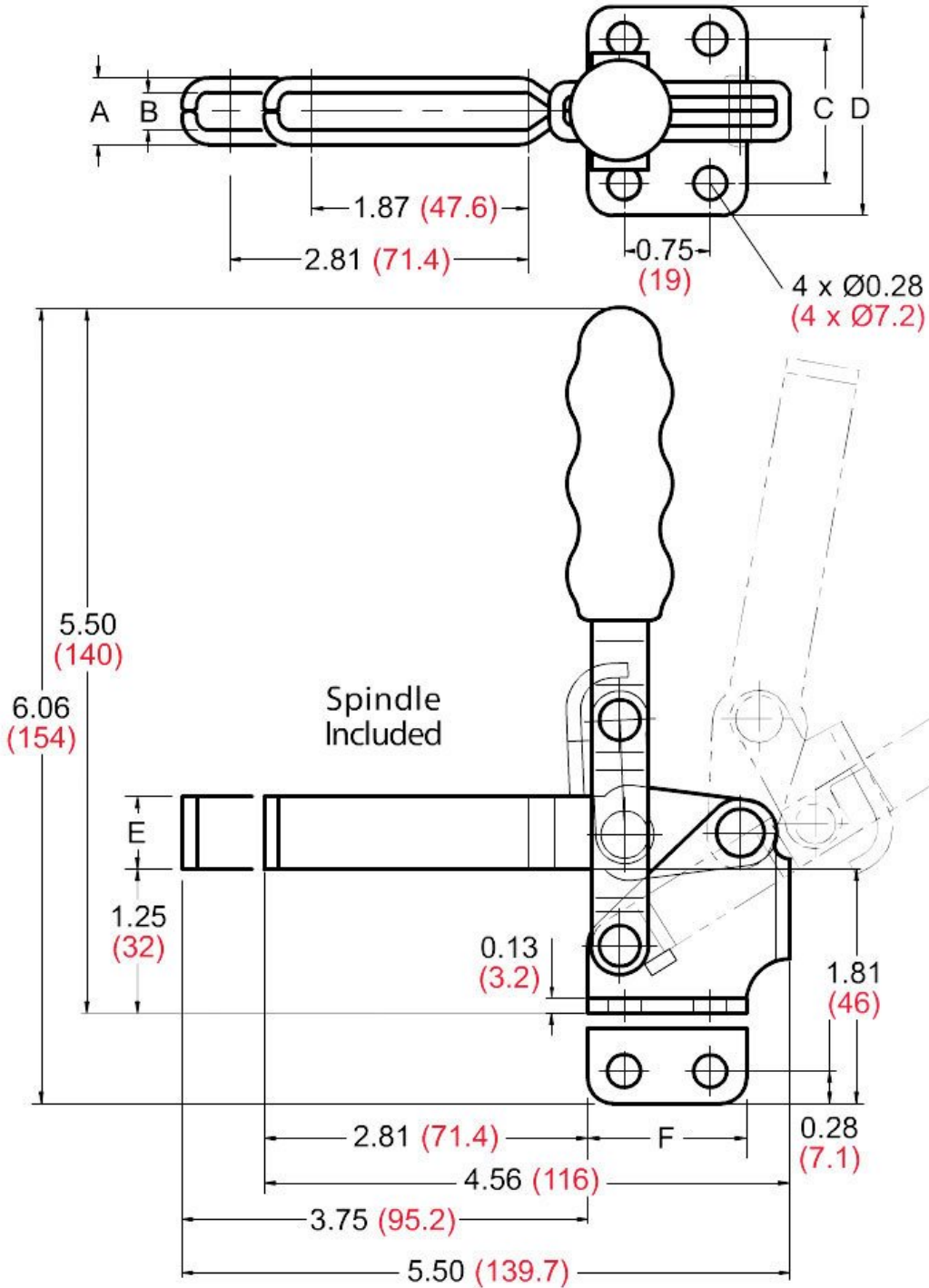


ORDER CODE:	C100
MODEL:	KL-12130
Type:	Vertical & Toggle Clamp
Table Height with Stand (mm):	~
Suits Table Size:	~
Material Finish:	~
Clamping Capacity:	227kg
Locking Handle - Pivot Movement:	65°
Clamp Bar - Pivot Movement:	100°
Plunger Travel (mm):	~
Throat Depth (mm):	~
Opening (mm):	~
Size:	~
Quantity Per Pack (No.):	1
Thread:	~
Number of Holes (No.):	~
Slot Length (mm):	~
Pull Force (kg):	~
Clamping Force (kg):	~
Suits:	~
Over all Length:	~
Nett Weight (kg):	0.36



Features

- KL-12130 - Vertical Toggle Clamp
- Holding capacity: 227kg
- Handle moves: 65°
- Bar moves: 100°
- Weight: 360g



Product Brochure For C100

Specific Features



Open Position

Recommended Accessories

C1001
 Vertical Toggle Clamp

C0999
 Vertical Toggle Clamp

C0998
 Vertical Toggle Clamp

C1003
 Horizontal Toggle Clamp



C1005
 Horizontal Toggle Clamp

C1006
 Horizontal Toggle Clamp

C1008
 Straight Line Toggle Clamp

C1011
 Straight Line with Threaded Collar Toggle Clamp



Product Brochure For C100

sales@machineryhouse.com.au
www.machineryhouse.com.au

C1009

Straight Line Toggle Clamp

C1010

Straight Line Toggle Clamp

