

Product Brochure For C966

NT40 x ER40 - Collet & Chuck Set - 25 Piece

Collet Range Ø3 - Ø26mm
 "Made in Taiwan"



Package Deal

Ex GST	Inc GST
\$630.00	\$693.00

Package Contents - SAVE \$132.00 (Inc)

1 x C114 - NT40 x ER40 Collet Chuck NT40 x ER40	\$176.00
1 x C958 - C958 ER40 Collet Set - 23 Piece	\$605.00
1 x C969 - C969 ER40 Collet Chuck Wrench	\$44.00
Normal Price (Inc):	\$825.00

ORDER CODE:	C966
Chuck Taper:	NT40
Collet Type:	ER40
Number of Collets (No.):	23
Collet Diameter Range (Ø):	4-3, 5-4, 6-5, 7-6 & 8-7, 9-8, 10-9, 11-10 & 12-11, 13-12, 14-13 & 15-14, 16-15, 17-16 & 18-17, 19-18, 20-19 & 21-20, 22-21, 23-22 & 24-23, 25-24, 26-25mm
Drawbar Thread:	M16

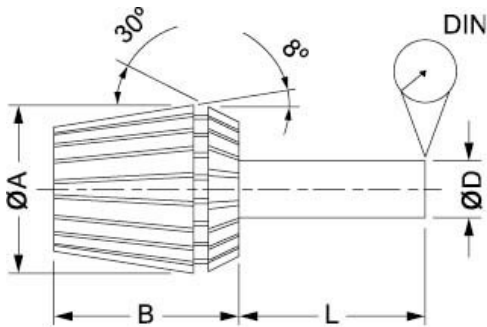


Description

Precision NT40 collet chuck with a ball bearing nut and a full set of ER40 collets.

Features

- Includes spanner
- Chuck and collets as listed
- In blow mould case



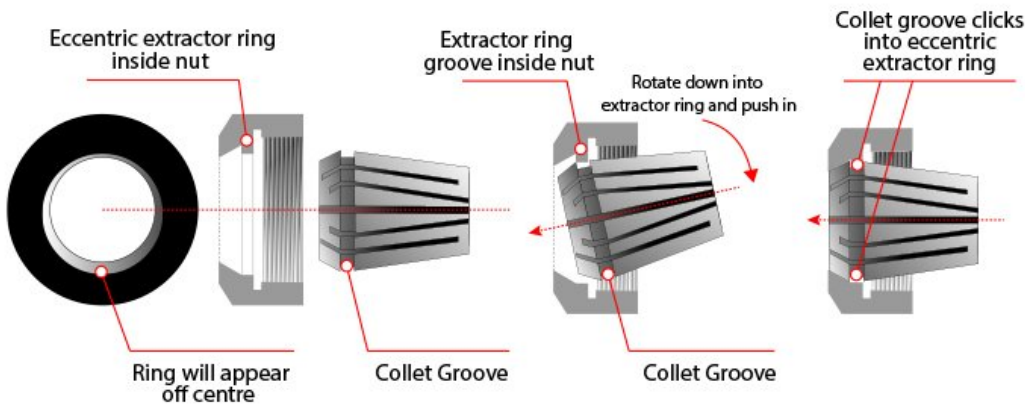
Collet	A	B	L	DIN	RANGE (D)
ER11	11.5	18	6	0.02	0.5-7.0
ER16	17	27	10	0.02	0.5-10.0
ER20	21	31	16	0.02	1.0-13.0
ER25	26	35	25	0.02	1.0-16.0
ER32	33	40	40	0.02	2.0-20.0
ER40	41	46	50	0.03	3.0-26.0

Installation Guide - Please see downloads for full details

1.

2.

3.



Recommended Accessories

C118
 Collet Nut - ER40 Ball Bearing Nut

C969
 ER40 Collet Chuck Wrench

C114
 Collet Chuck NT40 x ER40

C934
 ER40 Collet

