

Product Brochure For M224

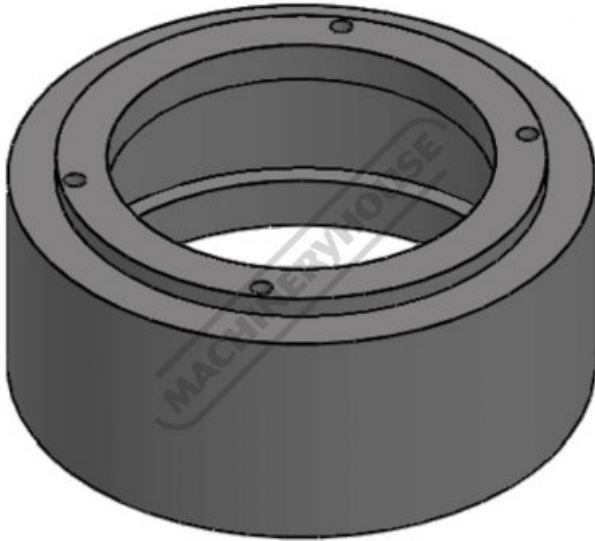
MRB-150M - Riser Spacer - Suits Turret Milling Machines

M12 x 1.75mm Metric Thread
 152mm (6") Spacer Height Gain

Ex GST
\$790.00

Inc GST
\$869.00

ORDER CODE:	M224
MODEL:	MRB-150M
Spacer Height Gain (mm):	152
Locating Recess & Spigot Ø (mm):	318
Bolt Thread Size (Type):	M12 x 1.75mm Metric



Description

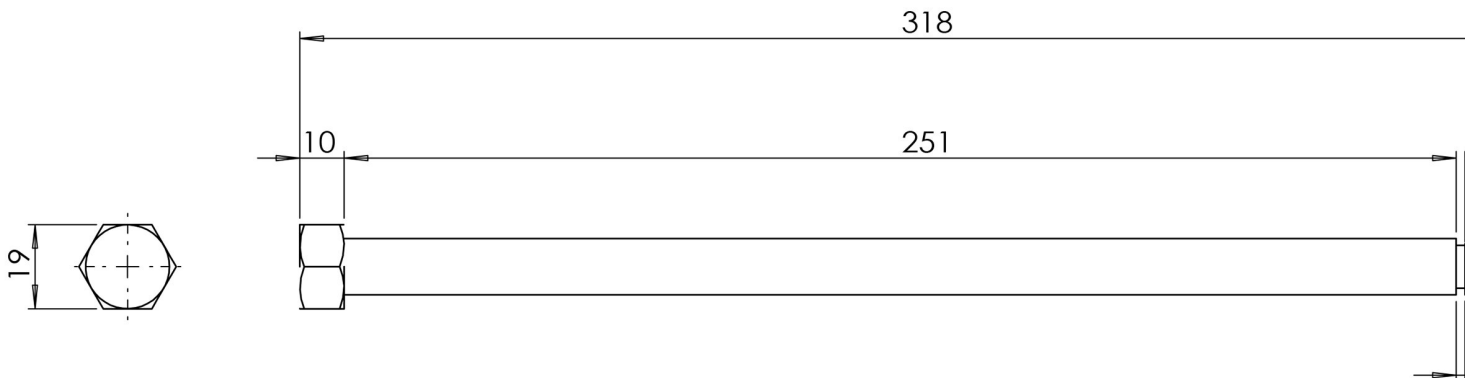
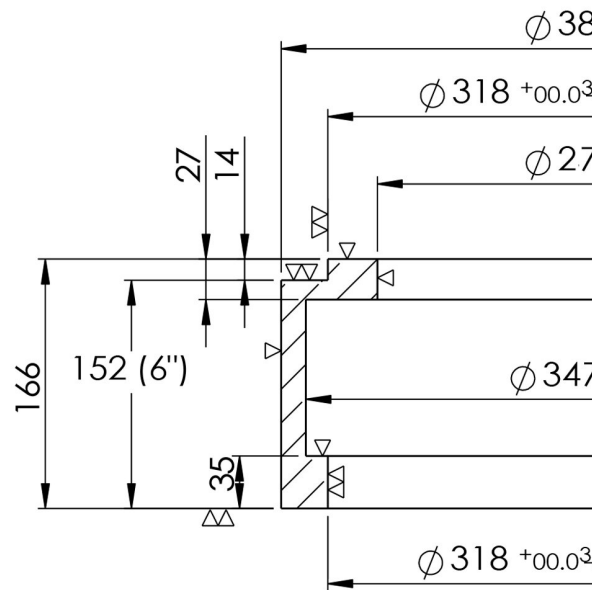
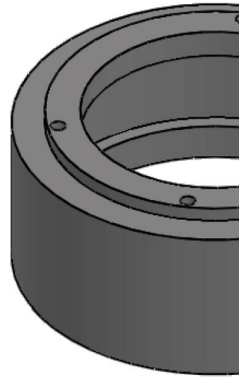
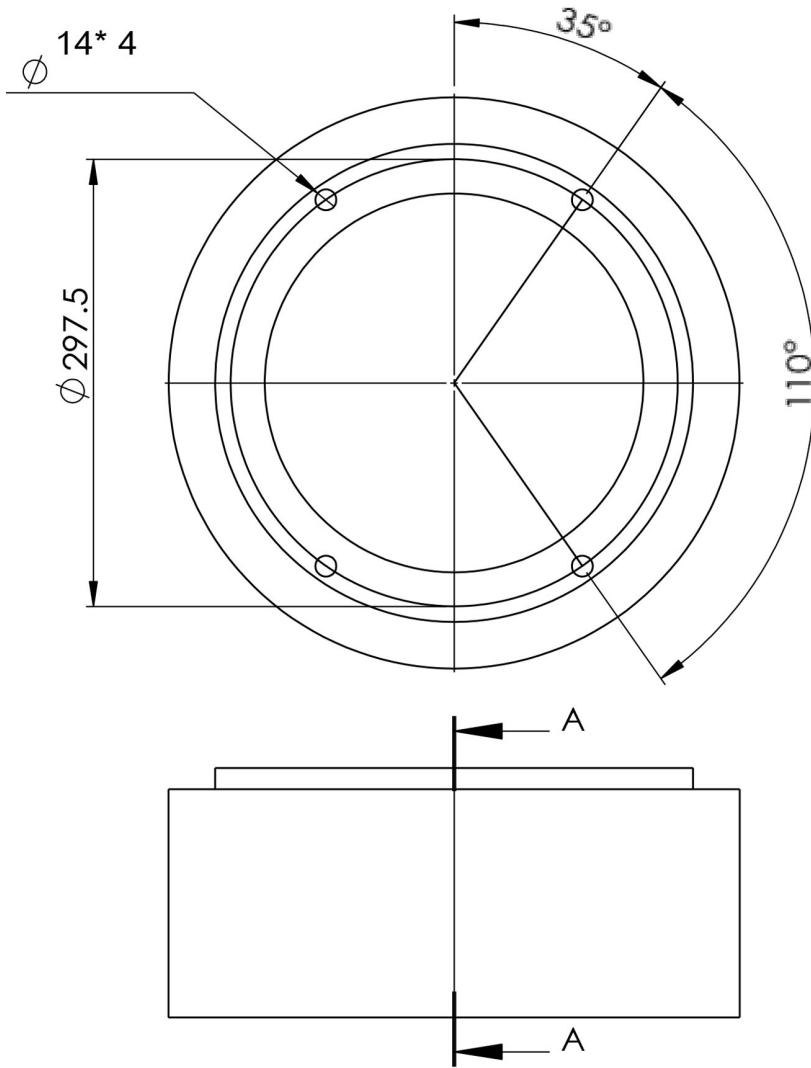
152mm Riser Block Spacer Suits The Following Models:

- BM-22A - (order code M593)
- BM-22AD - (order code M593D)
- BM-22 - (order code M594D)
- BM-23A - (order code M595D)
- BM-52VE - (order code M596D)
- BM-53VE - (order code M597D)
- BM-62VE - (order code M598D)
- BM-63VE - (order code M599D)

Features

- 152mm spacer increases your milling machine Z-Axis height clearance
- Includes 4 x 318mm long bolts M12 x 1.75mm metric thread
- Please Note:
- This Riser Block Spacer may need a little machining to fit on some models

M224



Product Brochure For M224

Specific Features



Shown Fitted To Milling Machine



Full View

Recommended Accessories

M593D

Industrial Turret Milling Machine



M595D

Industrial Turret Milling Machine



M596D

Industrial Turret Milling Machine



M597D

Industrial Turret Milling Machine



M598D

Industrial Turret Milling Machine



M599D

Industrial Turret Milling Machine

