

Product Brochure For W1027

## UG85M-C3 - 4 In One Utility Clamping System

215mm Clamping Capacity  
 550kg Clamping Force

**Ex GST**  
**\$80.00**

**Inc GST**  
**\$88.00**



ORDER CODE:	W1027
MODEL:	UG85M-C3
Type:	Utility Clamp
Table Height with Stand (mm):	~
Suits Table Size:	~
Material Finish:	~
Clamping Capacity:	215mm
Locking Handle - Pivot Movement:	~
Clamp Bar - Pivot Movement:	~
Plunger Travel (mm):	~
Throat Depth (mm):	120mm
Opening (mm):	~
Size:	~
Quantity Per Pack (No.):	~
Thread:	~
Number of Holes (No.):	~
Slot Length (mm):	~
Pull Force (kg):	~
Clamping Force (kg):	550
Suits:	~
Over all Length:	~
Nett Weight (kg):	1.9



### Description

ONE CLAMP FOUR FUNCTIONS:

The most versatile & economical sliding arm clamp available. Each clamp comes complete with a V-Pad and Extender Block. The threaded hole on the base simply allows the attachment to screw & lock into position.

Sliding Arm Clamps with the Removable / Reversible Clamp Arm and Unique Accessories

Professional Quality at an Affordable Price.

### Features

- Made of heat treated alloy steel and nickel/chrome plated for strength and durability
- Sliding arm clamps are 10x faster than conventional C-clamps
- The exclusive V-Pad enable pipe clamping
- Reverse the clamp arm and attachment to create a spreader clamp
- The extender block allows step over clamping with ease

### Includes

- The three piece 4-in-1 Clamp Kit includes:
- Sliding Arm Clamp
- Extended Block
- V-Pad

Product Brochure For W1027

**Specific Features**



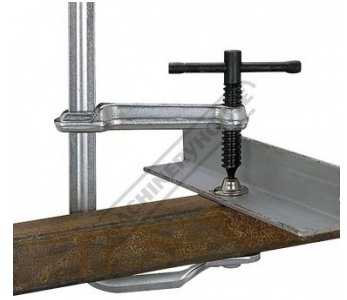
V Pad Jaw



With Extender Block Jaw



Clamping With Step Over



Clamping Steel



Clamping Steel Pipe



Shown As Spreader

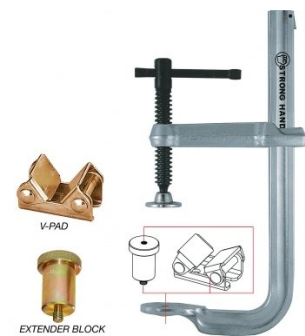
**Recommended Accessories**

**W1028**  
 4 In One Utility Clamping System

**W1026**  
 4 In One Utility Clamping System

**W1025**  
 4 In One Utility Clamping System

**C0010**  
 Ratchet F Clamp



Product Brochure For W1027

C0012  
 Ratchet F Clamp



C0013  
 Ratchet F Clamp



C0015  
 Ratchet F Clamp



W1003  
 ROGUE™ PROBAN® Welding Jacket



W1005  
 Snake Magnet & Spring Clamp



W1006  
 Adjust-O Magnet Square - Heavy Duty



W1007  
 Adjust-O Magnet Square - Heavy Duty



W1008  
 Mini Magnet Squares - (6-Pack)



W1009  
 Mini Magnet Squares - (2-Pack)



W1010  
 Corner Magnets - (2-Pack)



W1011  
 XYZ Magnet Squares - Multi-Angle - (2-Pack)



W1012  
 Adjustable Corner Clamping Plier Set



Product Brochure For W1027

W1013  
Corner Clamping Plier



W1019  
Corner Clamp



W1014  
Pipe Plier - Large



W1015  
Pipe Plier



W1016  
Locking C-Clamp - Round Tip



W1017  
Locking C-Clamp - Swivel Tip



W1018  
Locking C-Clamp - Swivel Tip



W1020  
Magnetic Level



W1021  
Magnetic V-Pad Kit - (4 Pack)



W1022  
MagTab Magnet



W1023  
MagTab AL Magnet



W112  
Micro Welding Steel Clamp Set



Product Brochure For W1027

[sales@machineryhouse.com.au](mailto:sales@machineryhouse.com.au)  
[www.machineryhouse.com.au](http://www.machineryhouse.com.au)

W113

Butt Welding Aluminium & Steel  
Clamp Set



W114

3 Angles Welding Aluminium  
Clamp Set

