

## C830 - ER16 Collet

Ø10-Ø9mm  
 "Made in Taiwan"

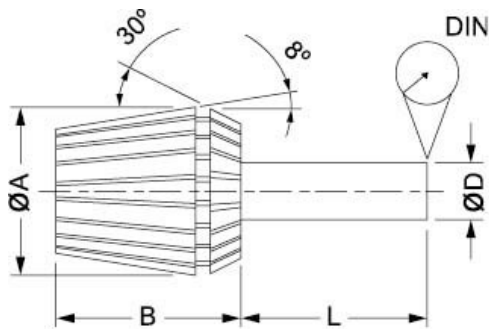
<b>Ex GST</b>	<b>Inc GST</b>
<b>\$20.00</b>	<b>\$22.00</b>

ORDER CODE:	C830
Type:	ER16
Metric Size (mm):	10 - 9
Imperial Size (inch):	~



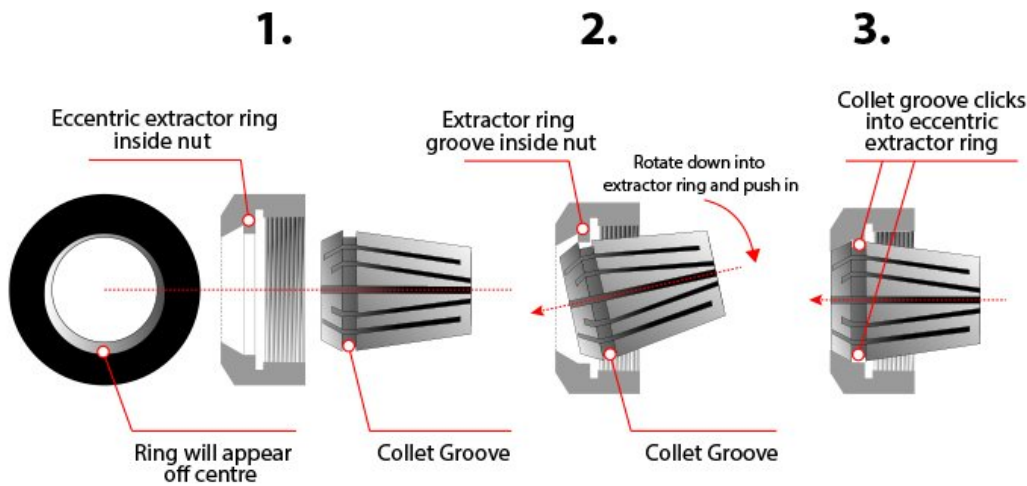
### Features

- Manufactured to DIN standard
- Collet size covers a range from expanded to compressed
- Collets from 2mm have 1mm of movement
- Collets are listed by their expanded size
- Eg. When ordering an ER32-3 the range is from 3mm expanded to 2mm compressed



Collet	A	B	L	DIN	RANGE (D)
ER11	11.5	18	6	0.02	0.5-7.0
ER16	17	27	10	0.02	0.5-10.0
ER20	21	31	16	0.02	1.0-13.0
ER25	26	35	25	0.02	1.0-16.0
ER32	33	40	40	0.02	2.0-20.0
ER40	41	46	50	0.03	3.0-26.0

**Installation Guide** - Please see downloads for full details



**Recommended Accessories**

**C836**  
 20 x 100 x ER16 Collet Chuck - Straight

**T006**  
 ER16 x 20 x 80 Floating Tap Holder

**T203**  
 BT40 x ER16-70 Collet Chuck

**C840**  
 ER16 Collet Chuck Wrench



Product Brochure For C830

[sales@machineryhouse.com.au](mailto:sales@machineryhouse.com.au)  
[www.machineryhouse.com.au](http://www.machineryhouse.com.au)

C116  
Collet Nut ER16

