

## NT30 x ER40 - Collet & Chuck Set - 25 Piece

Collet Range Ø3 - Ø26mm  
 "Made in Taiwan"



### Package Deal

Ex GST	Inc GST
\$630.00	\$693.00

### Package Contents - SAVE \$132.00 (Inc)

1 x C111 - NT30 x ER40 Collet Chuck - NT30 x ER40	\$176.00
1 x C958 - C958 ER40 Collet Set - 23 Piece	\$605.00
1 x C969 - C969 ER40 Collet Chuck Wrench	\$44.00
<b>Normal Price (Inc):</b>	<b>\$825.00</b>

ORDER CODE:	C965
Chuck Taper:	NT30
Collet Type:	ER40
Number of Collets (No.):	23
Collet Diameter Range (Ø):	4-3, 5-4, 6-5, 7-6 & 8-7, 9-8, 10-9, 11-10 & 12-11, 13-12, 14-13 & 15-14, 16-15, 17-16 & 18-17, 19-18, 20-19 & 21-20, 22-21, 23-22 & 24-23, 25-24, 26-25mm
Drawbar Thread:	M12

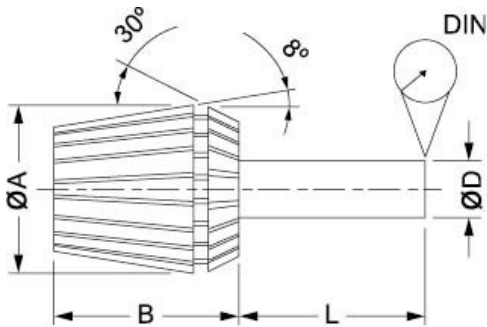


### Description

Precision NT30 collet chuck with a ball bearing nut and a full set of ER40 collets.

### Features

- Includes spanner
- Chuck and collets as listed
- In blow-mould case



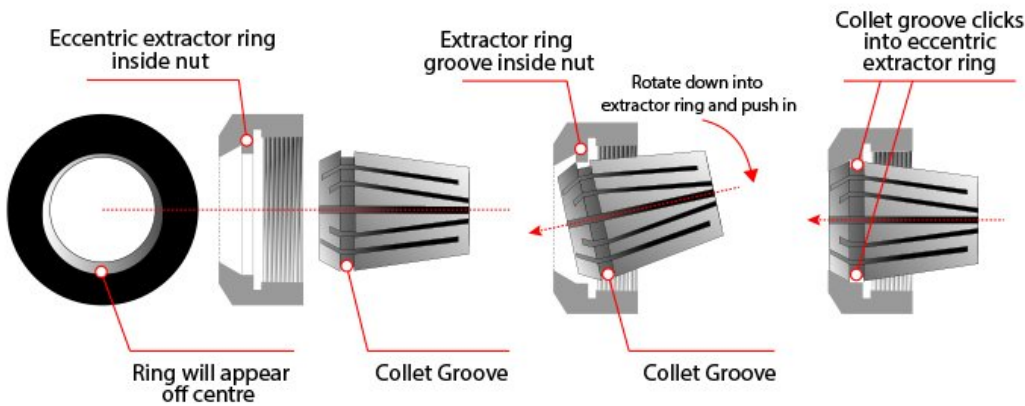
Collet	A	B	L	DIN	RANGE (D)
ER11	11.5	18	6	0.02	0.5-7.0
ER16	17	27	10	0.02	0.5-10.0
ER20	21	31	16	0.02	1.0-13.0
ER25	26	35	25	0.02	1.0-16.0
ER32	33	40	40	0.02	2.0-20.0
ER40	41	46	50	0.03	3.0-26.0

**Installation Guide** - Please see downloads for full details

**1.**

**2.**

**3.**



**Recommended Accessories**

C118  
 Collet Nut - ER40 Ball Bearing Nut

C969  
 ER40 Collet Chuck Wrench

C111  
 Collet Chuck - NT30 x ER40

C934  
 ER40 Collet

