

Product Brochure For W112

## MWC-4 - Micro Welding Steel Clamp Set

0 - 7mm Clamping Thickness  
 Set of 4 Clamps

**Ex GST**  
**\$27.00**

**Inc GST**  
**\$29.70**



ORDER CODE:	W112
MODEL:	~
Type:	~
Table Height with Stand (mm):	~
Suits Table Size:	~
Material Finish:	~
Clamping Capacity:	~
Locking Handle - Pivot Movement:	~
Clamp Bar - Pivot Movement:	~
Plunger Travel (mm):	~
Throat Depth (mm):	~
Opening (mm):	~
Size:	~
Quantity Per Pack (No.):	~
Thread:	~
Number of Holes (No.):	~
Slot Length (mm):	~
Pull Force (kg):	~
Clamping Force (kg):	~
Suits:	~
Over all Length:	~
Nett Weight (kg):	~

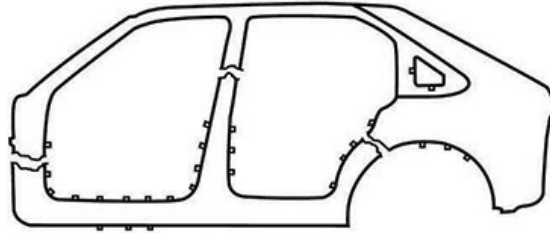
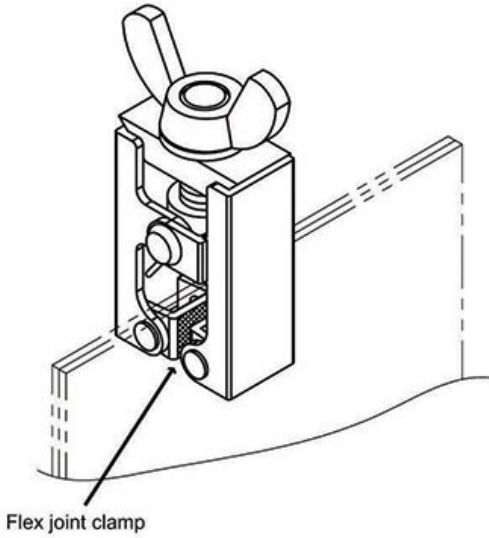


### Description

A fast and effective method of fastening materials for pinch/spot welding. Unique design generates huge clamping force ideal for automotive applications and especially effective for positioning body panels prior to welding in small spaces such as windows edges, door columns & hatch backs etc.

### Features

- Manufactured from steel
- Adjustable thickness clamp from 0 to 7mm
- Self aligning & serrated clamp faces for increased grip
- Spring loaded opening via thumb lock



### Specific Features



Close Up View

Product Brochure For W112

**Recommended Accessories**

W113

Butt Welding Aluminium & Steel  
 Clamp Set



W114

3 Angles Welding Aluminium  
 Clamp Set



C0010

Ratchet F Clamp



C0012

Ratchet F Clamp



C0013

Ratchet F Clamp



C0015

Ratchet F Clamp



W1025

4 In One Utility Clamping  
 System



W1026

4 In One Utility Clamping  
 System



Product Brochure For W112

**W1027**  
 4 In One Utility Clamping System



**W1003**  
 ROGUE™ PROBAN® Welding Jacket



**W1005**  
 Snake Magnet & Spring Clamp



**W1006**  
 Adjust-O Magnet Square - Heavy Duty



**W1007**  
 Adjust-O Magnet Square - Heavy Duty



**W1008**  
 Mini Magnet Squares - (6-Pack)



**W1009**  
 Mini Magnet Squares - (2-Pack)



**W1010**  
 Corner Magnets - (2-Pack)



**W1011**  
 XYZ Magnet Squares - Multi-Angle - (2-Pack)



**W1012**  
 Adjustable Corner Clamping Plier Set



**W1013**  
 Corner Clamping Plier



**W1019**  
 Corner Clamp

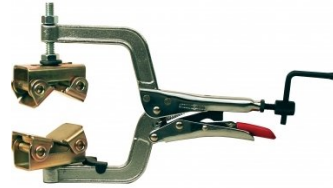


Product Brochure For W112

W1014  
 Pipe Plier - Large



W1015  
 Pipe Plier



W1016  
 Locking C-Clamp - Round Tip



W1017  
 Locking C-Clamp - Swivel Tip



W1018  
 Locking C-Clamp - Swivel Tip



W1020  
 Magnetic Level



W1021  
 Magnetic V-Pad Kit - (4 Pack)



W1022  
 MagTab Magnet



W1023  
 MagTab AL Magnet

