

C825 - ER16 Collet

Ø5-Ø4mm
 "Made in Taiwan"

Ex GST	Inc GST
\$20.00	\$22.00

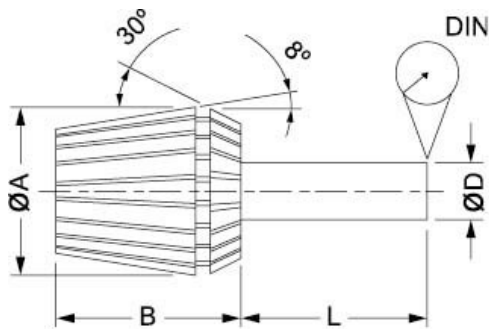


ORDER CODE:	C825
Type:	ER16
Metric Size (mm):	5 - 4
Imperial Size (inch):	~



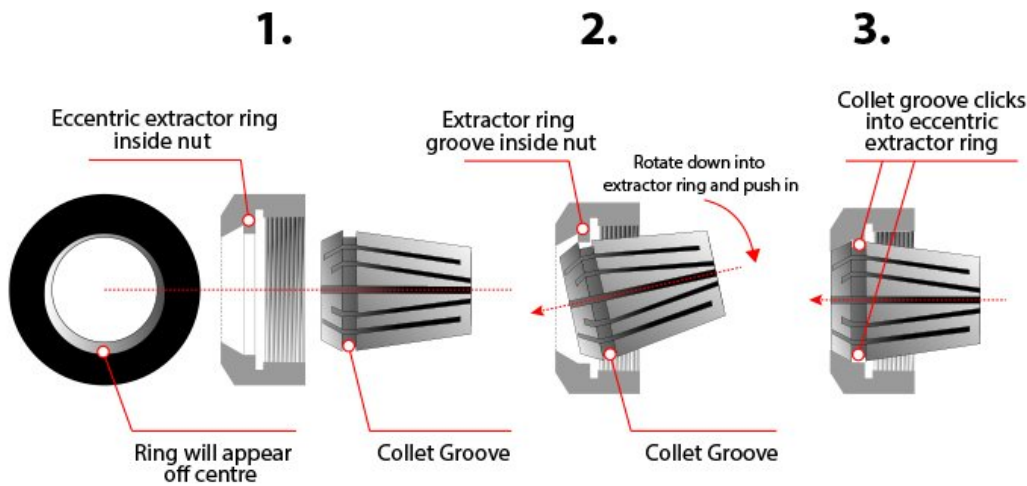
Features

- Manufactured to DIN standard
- Collet size covers a range from expanded to compressed
- Collets from 2mm have 1mm of movement
- Collets are listed by their expanded size
- Eg. When ordering an ER32-3 the range is from 3mm expanded to 2mm compressed



Collet	A	B	L	DIN	RANGE (D)
ER11	11.5	18	6	0.02	0.5-7.0
ER16	17	27	10	0.02	0.5-10.0
ER20	21	31	16	0.02	1.0-13.0
ER25	26	35	25	0.02	1.0-16.0
ER32	33	40	40	0.02	2.0-20.0
ER40	41	46	50	0.03	3.0-26.0

Installation Guide - Please see downloads for full details



Recommended Accessories

C836
 20 x 100 x ER16 Collet Chuck - Straight

T006
 ER16 x 20 x 80 Floating Tap Holder

T203
 BT40 x ER16-70 Collet Chuck

C840
 ER16 Collet Chuck Wrench



Product Brochure For C825

sales@machineryhouse.com.au
www.machineryhouse.com.au

C116
Collet Nut ER16

