

BMSY-810-CGH - Semi Automatic Double Column & Swivel Head Band Saw

910 x 750mm (W x H) Rectangle Capacity

Ex GST **Inc GST**
\$64,500.00 **\$70,950.00**



ORDER CODE:	B142
MODEL:	BMSY-810-CGH
Operation Type:	Swivel Head & Semi - Automatic
Round @ 90° (mm):	810
Round @ 45° (mm):	555
Round @ 60° (mm):	320
Square @ 90° (mm):	770
Square @ 45° (mm):	555
Square @ 60° (mm):	310
Rectangle (W x H) @ 90° (mm):	910 x 750
Rectangle (W x H) @ 45° (mm):	600 x 750
Rectangle (W x H) @ 60° (mm):	360 x 750
Coolant System:	Yes
Table Working Height (mm):	725
Cutting Head Beam Type:	Semi-Automatic
Cutting Head Beam Return:	Auto-Hydraulic Return
Cutting Head Down Feed Control:	Adjustable Hydraulic
Vice Clamping Fixture:	Automatic-Hydraulic
Bundle Cutting Fixture:	Optional
Blade Steps / Speeds (m/min):	Variable 20-100
Blade Size (L x W x T) (mm):	8450 x 41 x 1.3
Motor Power (kW / hp):	4 / 5.5
Voltage / Amperage (V / amp):	415
Nett Weight (kg):	4050



Description

Manufactured in Turkey

BMSY-810-CGH SWIVEL HEAD, DOUBLE COLUMN, METAL CUTTING BAND SAW (415V)

Features

- Swivel head for mitre cutting up to 60°
- 2° blade incline for improved cutting
- Inverter variable blade speed control
- Material height sensor for beam to rapid down and start cut feed rate when reached material
- Digital readout display for accurate mitre cutting
- Head mitre hydraulic brake locking system
- Linear guide ways for improved accuracy
- 600mm high vice jaws for increased clamping area
- Auto optical material height adjustment
- Sensitivity cutting pressure dial
- Blade cover safety interlock switches
- SITI industrial duty gearbox drive
- SAP coolant pump system
- Saw blade cleaning brush

Includes

- Laser liner material pointer
- Hydraulic material top clamp
- Hydraulic blade tension device

Optional Accessories

- Motorised in/out feed roller conveyor system

Product Brochure For B142

Specific Features



Head Fully Down



Swivel Head at 60 Degrees



Swivel Head at 60 Degrees Side View



Mitre Cutting Digital Readout Display



Pressure-Sensitivity Feed Controls



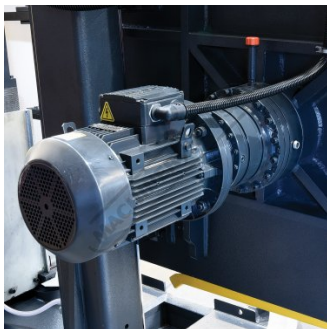
Control Panel



Includes Hydraulic Material Top Clamp



Includes Laser Line Pointer



Industrial Gearbox Drive



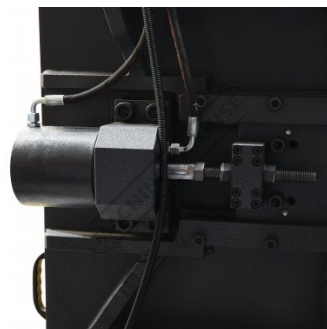
Carbide Blade Guides with Rollers



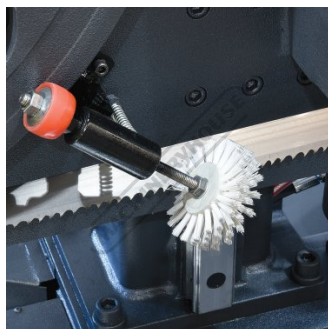
Blade Guard Safety Micro Switch



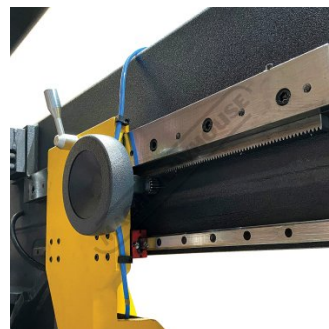
Rear Material In Feed Rollers



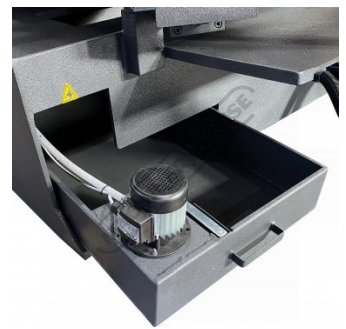
Hydraulic Blade Tension



Blade Cleaning Brush

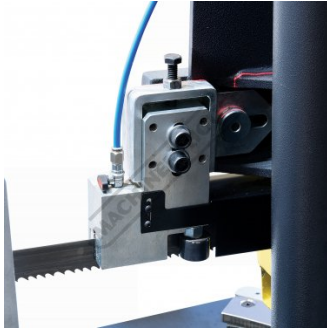


Blade Guide Adjustment Hand Wheel

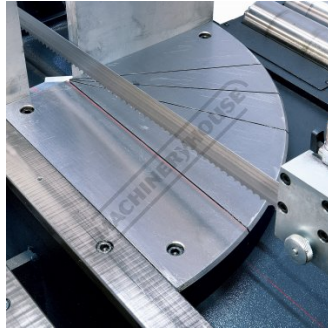


Coolant Pump-Tank Reservoir

Product Brochure For B142



Blade Coolant Flow



Laser Guide Cut Line



Hydraulic Vice



Hydraulic Vice Closed



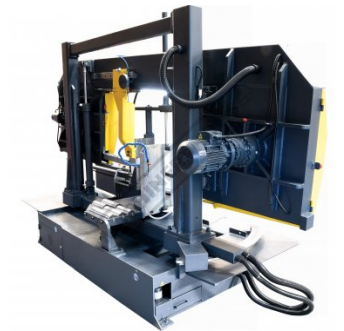
Hydraulic Vice Open



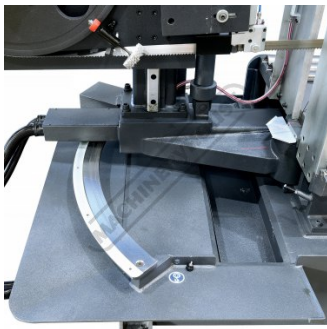
Front Material Roller



Coolant Hose



Rear View



Swivel Head Slide



Linear Guide Ways on Posts



Blade Cover Safety Interlock Switches



Work Light

Product Brochure For B142

Recommended Accessories

B640

Metal Band Saw Blade - 5-8TPI
 Bi-Metal, Blade - 8450 x 41 x
 1.3mm



W3434

Roller Stand



W3436

Roller Stand - V-Type



W343A

Roller Stand



W343

Roller Stand



S090A

Soluble Metal Cutting Fluid - 1
 Litre



S090

Soluble Metal Cutting Fluid - 5
 Litre



S076

Cutting Tool Lubricant Fluid -
 500ml



Product Brochure For B142

S077

Drilling, Tapping & Cutting Tool
Lubricant Spray - 400g



S075

Cutting Tool Lubricant Paste -
200g



S074

Cutting Tool Lubricant Paste -
500g



S091

Soluble Metal Cutting Fluid - 20
Litre



L300

Magnetic Swarf Remover



M9991

Magnetic Floor Sweeper



L812

Roller Conveyor



L816

Roller Conveyor Stand



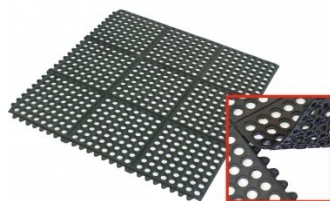
M800

Rubber Mat - Anti-Fatigue



M805

Rubber Mat - Anti-Fatigue



O000

SpillFix Universal Organic
Absorbent



O000A

Natural Zeolite Absorbent



Product Brochure For B142

O043

Rust & Corrosion Preventive - Penetrant & Lubrication



O042

General Purpose Lubricant & Corrosion Inhibitor



O040

Rust & Corrosion Preventive - Penetrant & Lubrication



O044

Rust & Corrosion Preventive - Penetrant & Lubrication

