

Product Brochure For D185

## DMF-44 - Pedestal Mill Drill - Geared & Tilting Head

Table Travel: (X) - 480mm (Y) - 200mm (Z) - 850mm  
 31.5mm Drilling Capacity, Includes Coolant System & Thread Tapping Function

**Ex GST**                      **Inc GST**  
**\$3,350.00**                      **\$3,685.00**



ORDER CODE:	D185
MODEL:	DMF-44
Digital Readout:	Optional
Type:	Vertical
Table Size (mm):	730 x 210
Column Type:	Ø125mm
Spindle Taper - Vertical:	3MT
Spindle Taper - Horizontal:	~
Longitudinal Travel (X-Axis) (mm):	480
Cross Travel (Y-Axis) (mm):	200
Vertical Travel (Z-Axis) (mm):	850
Type of Slides:	Dovetail
Ram Travel (mm):	~
Spindle to Table (mm):	630
Spindle to Base:	~
Spindle Travel / Diameter (mm):	120 / 75
Throat Depth (max.) (mm):	280
Tilting Head (Left ~ Right):	±90°
Tilting Head (Forward ~ Back):	Fixed
Drilling Capacity (mm):	31.5
End Milling Capacity (mm):	28
Face Milling Capacity (mm):	80
Power Feed - Quill (mm/rev):	~
Power Feed - Longitudinal (X-Axis) (mm/min):	Optional
Power Feed - Cross (Y-Axis) (mm/min):	~
Power Feed - Vertical (Z-Axis) (mm/min):	~
Table T-Slot Size (inch / mm):	14
Work Table Load Capacity (kg):	55
Spindle Speeds Vertical (No./ rpm):	6 (95 - 1650)
Spindle Speeds Horizontal (No./ rpm):	~
Spindle Speeds - Universal Head:	~
Motor Power - Vertical Spindle (kW / hp):	1.5 / 2
Motor Power - Horizontal Spindle (kW / hp):	~
Motor Power - Universal Head:	~
Voltage / Amperage (V / amp):	240 / 10
Nett Weight (kg):	390



### Description

The DMF-44 pedestal milling & drilling machine offers a new dimension of milling capabilities compared to the standard conventional mill drills, as this machine allows you to have a longer job to fit onto the table or even mount your work directly to the machine base for maximum height clearance.

This machine has a tapping function switch to allow you to control the required depth when tapping holes. The milling head also has provisions to adjust up and down in addition to the worktable movement up & down as well, given you the optimum options to best suit your requirements.

The spindle on this machine is a 3 morse taper that is driven by a 2hp, 240V motor via gears in the head to ensure maximum drive without any slippage that can occur & generally inherited with belt drive heads.

### Features

- Ideal for home or light industrial workshop use
- Geared head drill & mill machine with 3 morse taper spindle
- 6 drilling speeds from 95-1650rpm
- Thread tapping function

## Product Brochure For D185

- Coolant pump system with flexible hose
- Micro down feed adjustment
- Mill head tilts to  $\pm 90^\circ$
- Milling table travels 480 x 200mm
- Swivel safety drilling chuck guard
- Emergency stop switch and overload protection
- Adjustable accurate depth setting for increased productivity
- Rack and pinion wind-up table
- Rack and pinion wind-up drill head
- Thick walled column ensuring greater rigidity
- Concertina slide way cover on y axis
- Adjustable gibs on table
- 14mm T slotted work table and base
- 1.5kW 240V motor

### Includes

- Face milling cutter with inserts
- 13mm keyed drill chuck and arbor
- Chuck key to suit
- MT3 to MT2 drill sleeve adapter
- Drill drift tool to remove drill chuck or taper shank drills
- M12 x 1.75mm drawbar
- 1/2" x 12TPI drawbar
- Safety cutter guard

### Specific Features



Tilt Head Full View



Left View



Rear Left View



Rear Right View



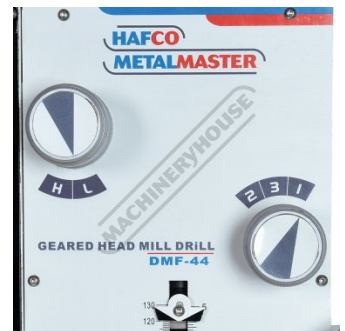
Milling Head



Mill Head Close Up



Control Panel with Tapping Function



Geared Spindle Speed Dials

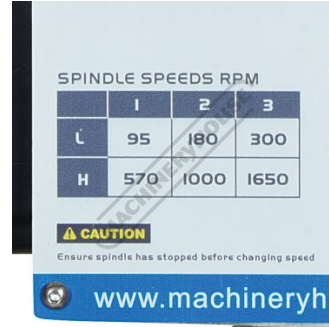
Product Brochure For D185



Adjustable Drilling Depth Stop



Quill Lock Lever



6 Drilling Speeds 95 ~ 165rpm



Swivel Safety Drilling Chuck Guard



Rack & Pinion Wind Up Drill Head



Rack & Pinion Wind Up Table



Quill Handle



Quill Micro Fine Feed Dial



Heavy Duty Motor



Draw Bar For Milling



Flexible Coolant Hose



Table with Coolant Return Hose



Concertina Rear Slide-Way Cover



Tilting Head  $\pm 90^\circ$



Head Tilted To  $45^\circ$



Main Isolation Switch

Product Brochure For D185

sales@machineryhouse.com.au  
www.machineryhouse.com.au



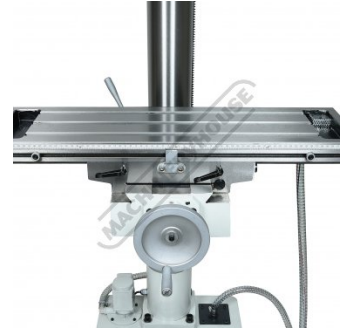
Table Longitudinal Dial



Table Cross Feed Dial



T Slotted Work Table & Base



Work Table with Length Stops



T Slotted Base



Coolant Pump System



Coolant Pump



Milling Cutter



Included Parts

Product Brochure For D185

sales@machineryhouse.com.au  
 www.machineryhouse.com.au

**Recommended Accessories**

**D695**  
 3-Axis Optimum Digital Readout  
 Counter - 1µm



**D694**  
 1500mm Optimum Magnetic  
 Digital Readout Scale



**M230**  
 Power Feed Unit



**M240**  
 Transformer



**V155**  
 Drill Press Vice



**D322**  
 3MT Taper Shank Drill - HSS



**K150**  
 Mill-Drill Accessory Package  
 Deal - Imperial Cutters

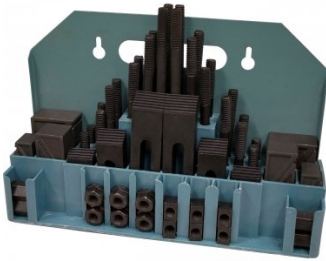


**K151**  
 Mill-Drill Accessory Package  
 Deal - Metric Cutters



Product Brochure For D185

**C0965**  
 Clamp Kit 58 piece - Workshop Series



**C922B**  
 Collet & Chuck Set - 8 Piece



**C926**  
 Collet & Chuck Set - 20 Piece



**M3301**  
 Metric HSS Slot Drill & End Mill Set - 10 Piece



**M3321**  
 Imperial HSS Slot Drill & End Mill Set - 10 Piece



**D1171**  
 Metric Industrial HSS Reduced Shank Drill Set



**D1181**  
 Imperial Industrial HSS Reduced Shank Drill Set



**D117**  
 Metric HSS Reduced Shank Drill Set



**D4433**  
 3MT x JT3 Drill Chuck Arbor - Threaded 1/2 Whitworth



**D4436**  
 3MT x JT6 Drill Chuck Arbor - Threaded 1/2 Whitworth



**C289**  
 Heavy Duty Drill Chuck - Keyed Type



**C290**  
 Heavy Duty Drill Chuck - Keyed Type



Product Brochure For D185

**C292**  
Industrial Drill Chuck - Keyless Type



**C294**  
Industrial Drill Chuck - Keyless Type



**T004B**  
Tapping Chuck - Fixed



**L300**  
Magnetic Swarf Remover



**S090A**  
Soluble Metal Cutting Fluid - 1 Litre



**S090**  
Soluble Metal Cutting Fluid - 5 Litre



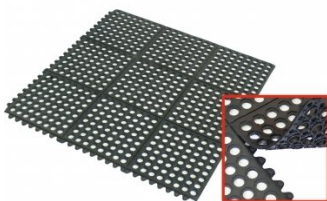
**M9991**  
Magnetic Floor Sweeper



**M800**  
Rubber Mat - Anti-Fatigue



**M805**  
Rubber Mat - Anti-Fatigue



**O000**  
SpillFix Universal Organic Absorbent



**O000A**  
Natural Zeolite Absorbent



**O043**  
Rust & Corrosion Preventive - Penetrant & Lubricant



Product Brochure For D185

O042

General Purpose Lubricant & Corrosion Inhibitor



O040

Rust & Corrosion Preventive - Penetrant & Lubrication



O044

Rust & Corrosion Preventive - Penetrant & Lubrication

