

SJ-2 - Swage and Jenny - Manual

1.6mm Mild Steel Thickness Capacity

Ex GST **Inc GST**
\$2,890.00 **\$3,179.00**



ORDER CODE:	S521
MODEL:	SJ-2
Machine (Type):	Swage & Jenny
Mild Steel - Thickness Capacity (mm / Gauge):	1.6 / 16
Aluminium - Thickness Capacity (mm / Gauge):	1.6 / 16
Throat Depth Maximum (mm):	380 (without guide)
Roll Diameter (mm):	60
Output Drive Speed (rpm):	38
Motor Power (kW / hp):	-
Voltage / Amperage (V / amp):	-
Nett Weight (kg):	46



Description

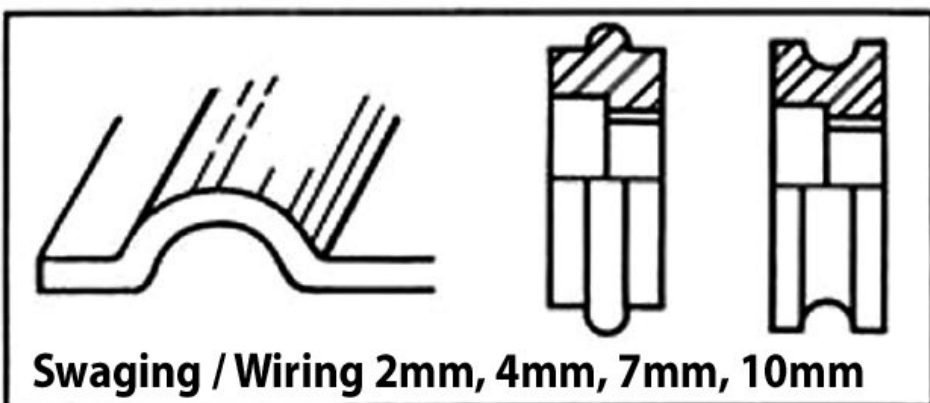
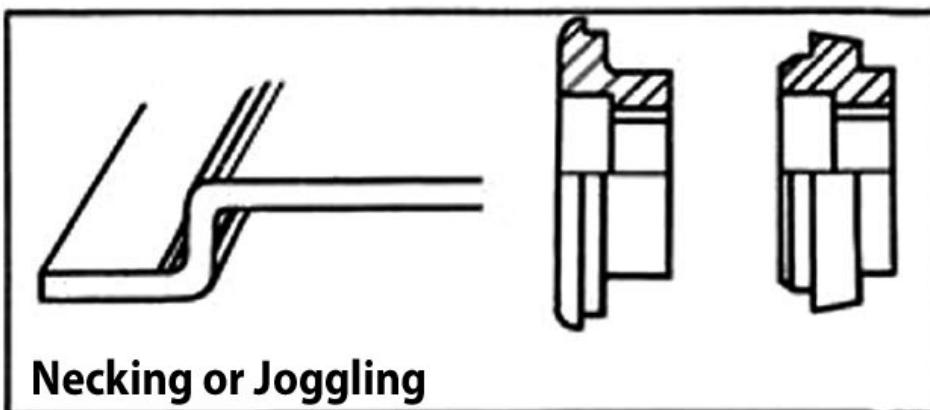
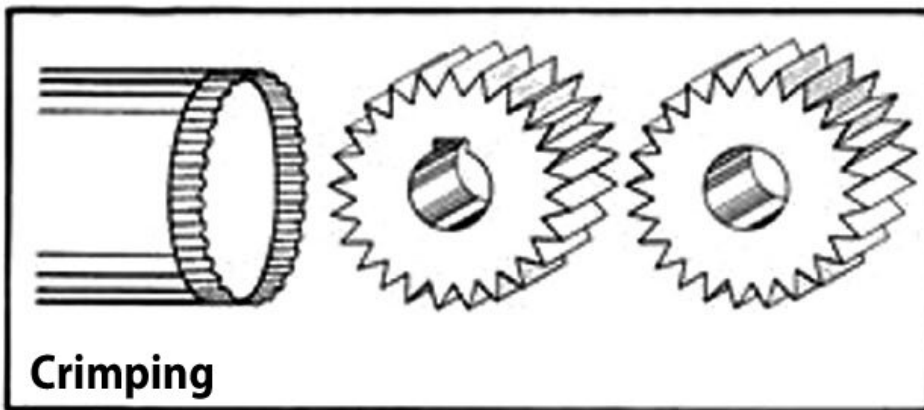
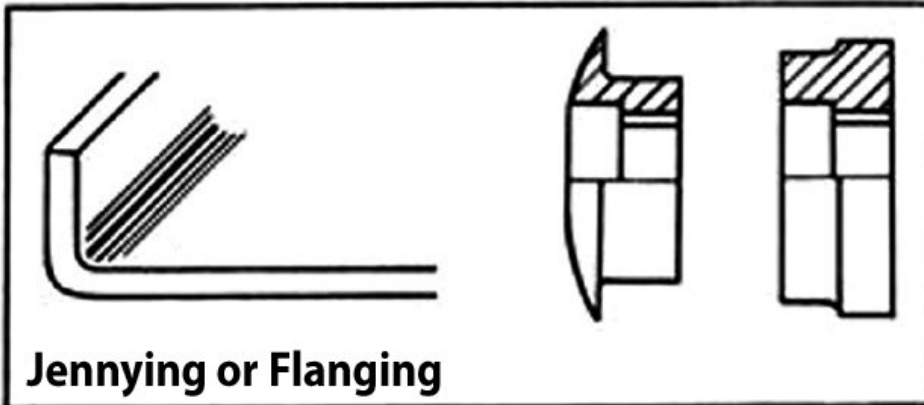
High quality, robust, industrial duty machines, manufactured from steel, which provides good strength whilst also providing a very good bearing surface for the rotating shafts and slider blocks

Features

- Manufactured from high grade cast iron
- Quality design for long life
- Throat depth
- with guide 275mm
- without guide 380mm
- Weight 46kg
- Made in New Zealand

Includes

- 2mm Wiring Top and Bottom
- 4mm Wiring Top and Bottom
- 7mm Wiring Top and Bottom
- 10mm Wiring Top and Bottom
- 1x Jenny Roller Bottom
- 1x Closing Roller Bottom
- 2x Crimping
- 2x Necking
- 2x Bearing Blocks
- 1x Flat Roller Top



Specific Features



Machine