

P9056 - SwiftCAM Advanced Software Upgrade

Ex GST	Inc GST
\$2,950.00	\$3,245.00

ORDER CODE:	P9056
Type:	SwiftCAM Advanced & Software
Part Number #:	-
Suits:	Swift-Cut Machines
Processes:	-



Software solutions for programming
 plasma cutting machines



Description

SwiftCAM Advanced Version

- All of the Standard version features
- Multiple simultaneous DXF import
- Automatic part in part nesting for best sheet utilisation

Are you planning to cut a large array of different parts in 1 sheet ?

If so the SwiftCam advanced upgrade has the features to automate this for you, import multiple drawings simultaneously and then automatically nest these drawings using the advanced Automatic Part is Part nesting feature. This will give you the best sheet utilisation and automation of nesting saving you valuable material and time.

Features

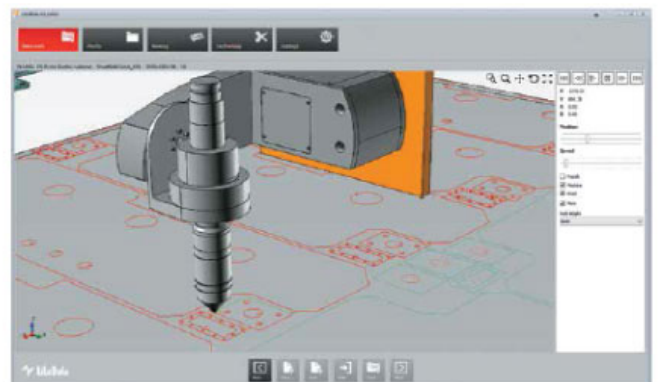
- This is the complete configuration of SwiftCAM, offering automatic part-in-part nesting and automatic calculation of the cutting path
- The system automatically selects and applies the best type and position of lead-ins for any of the parts available on the plate
- Furthermore, all optimal parameters to handle the cutting technology will be automatically compiled thanks to specific parameters tables
- This configuration allows any operator to get to a correct programming of the machines in your workshops without any investment efforts that might be required to learn a new system



SwiftCAM

Software solutions for programming
plasma cutting machines

powered by



Product Brochure For P9056

Recommended Accessories

P9010
CNC Plasma Cutting Table

P9011
CNC Plasma Cutting Table

P9012
CNC Plasma Cutting Table

P9013
CNC Plasma Cutting Table



P9014
CNC Plasma Cutting Table

P9020
CNC Plasma Cutting Table

P9021
CNC Plasma Cutting Table

P9022
CNC Plasma Cutting Table



Product Brochure For P9056

P9023
 CNC Plasma Cutting Table



P9024
 CNC Plasma Cutting Table



P9030
 CNC Plasma Cutting Table



P9035
 CNC Plasma Cutting Table



P9031
 CNC Plasma Cutting Table



P9036
 CNC Plasma Cutting Table



P9032
 CNC Plasma Cutting Table



P9037
 CNC Plasma Cutting Table



P9033
 CNC Plasma Cutting Table



P9038
 CNC Plasma Cutting Table



P9034
 CNC Plasma Cutting Table



P9039
 CNC Plasma Cutting Table

