

Product Brochure For H255

TECH0206 - Electric Chain Hoist

2 Tonne x 6 Metre Lift
 Single Speed: 3m/min. Lift Speed

Ex GST **Inc GST**
\$3,200.00 **\$3,520.00**



ORDER CODE:	H255
MODEL:	TECH0206
Capacity (Tonne):	2
Lift Height (Metre):	6
Lift Speed (m/min):	3
Motor Power (W):	1200
Voltage (V):	240



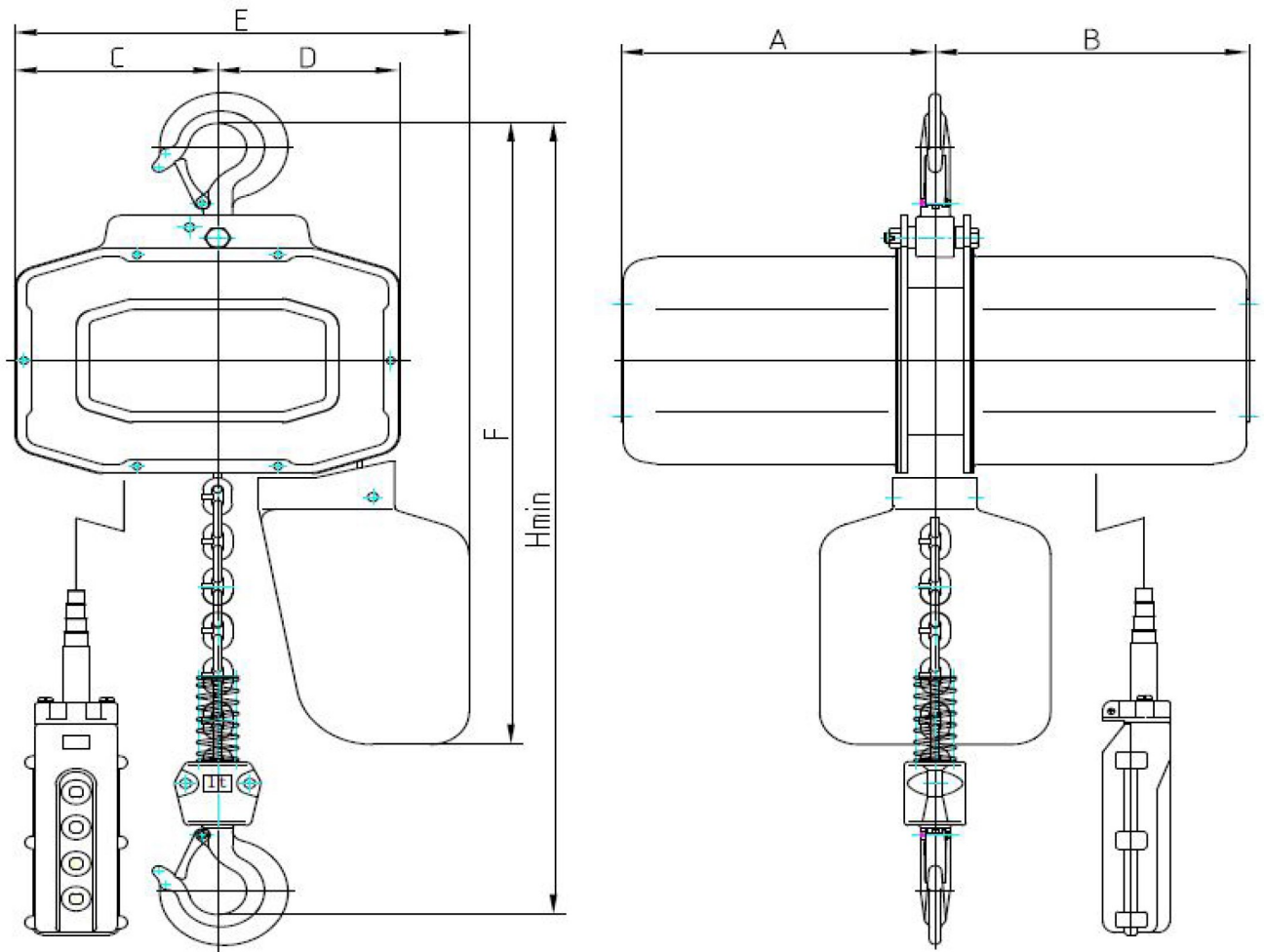
Description

Thermal Prevention Device Fitted

Features

- Light weight, compact design with high efficiency motor
- Pressed steel structure, high strength body
- High tensile alloy steel top & bottom hooks
- Grade 80 - 7.1mm Alloy Steel load chain
- Limit switches fitted at top and bottom ends to prevent chain run-out
- 240V , 50Hz Single speed Motor 1200 Watts

Main Dimension of TECH Series Electric Chain Hoist



Model	TECH0103 / TECH0106	TECH0203 / TECH0206
A	245	245
B	245	245
C	158	124
D	142	176
E	350	350
F	600	610
H	520	630

Recommended Accessories

C148
 Girder Trolley



H311
 Round Slings



H310
 Round Slings



H314
 Round Slings



H315
 Round Slings



H312
 Round Slings



H313
 Round Slings



H322
 Flat Slings



Product Brochure For H255

sales@machineryhouse.com.au
www.machineryhouse.com.au

H324
Flat Sling

