

Product Brochure For H251

TECH0106 - Electric Chain Hoist

1 Tonne x 6 Metre Lift
 Single Speed: 6m/min. Lift Speed

Ex GST **Inc GST**
\$2,700.00 **\$2,970.00**



ORDER CODE:	H251
MODEL:	TECH0106
Capacity (Tonne):	1
Lift Height (Metre):	6
Lift Speed (m/min):	6
Motor Power (W):	1200
Voltage (V):	240



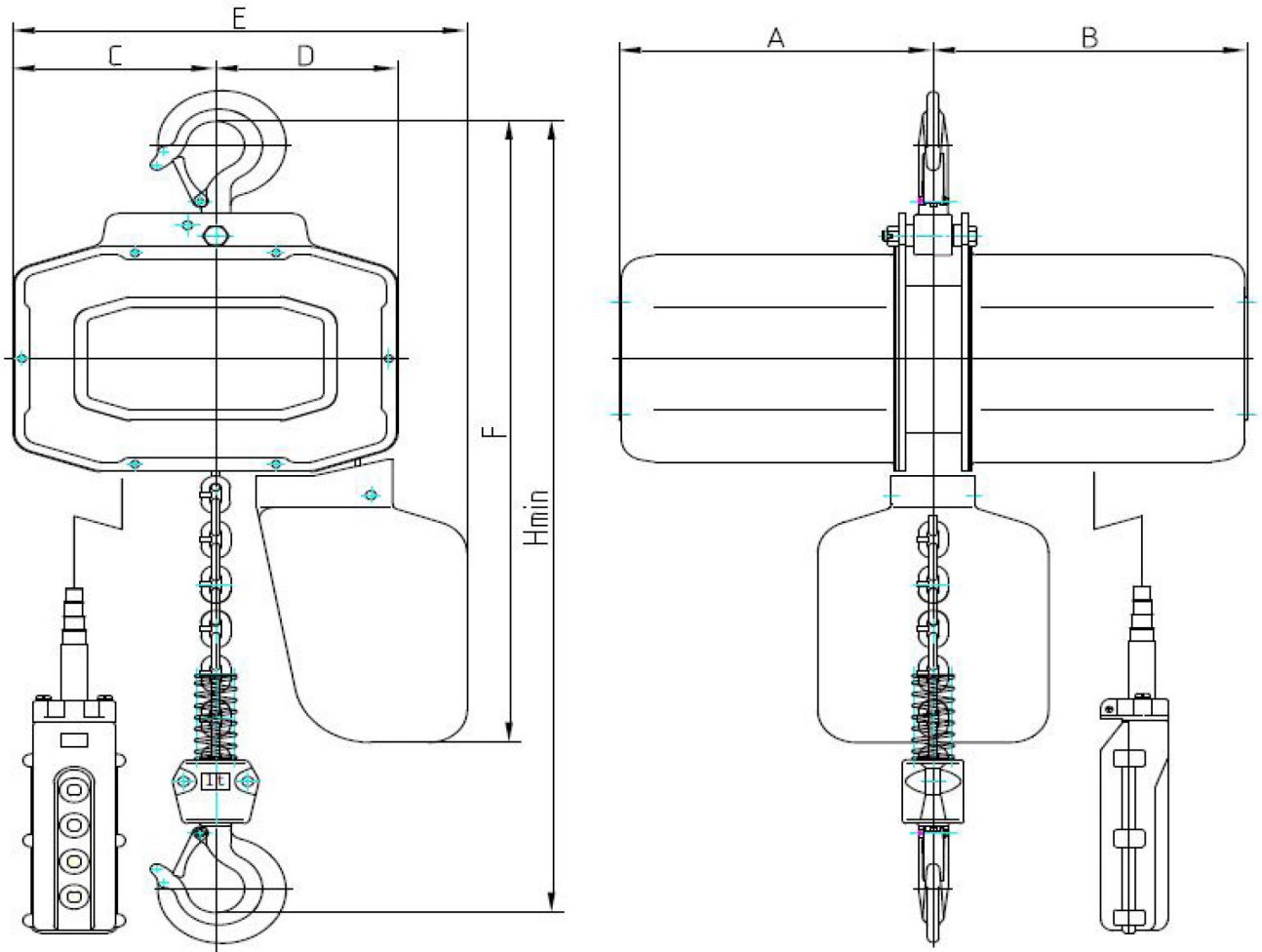
Description

Thermal Prevention Device Fitted

Features

- Light weight, compact design with high efficiency motor
- Pressed steel structure, high strength body
- High tensile alloy steel top & bottom hooks
- Grade 80 - 7.1mm Alloy Steel load chain
- Limit switches fitted at top and bottom ends to prevent chain run-out
- 240V , 50Hz Single speed Motor 1200 Watts

Main Dimension of TECH Series Electric Chain Hoist



Model	TECH0103 / TECH0106	TECH0203 / TECH0206
A	245	245
B	245	245
C	158	124
D	142	176
E	350	350
F	600	610
H	520	630

Recommended Accessories

C147
 Girder Trolley

H301
 Round Slings

H300
 Round Slings

H316
 Flat Slings



H305
 Round Slings

H318
 Flat Slings

H308
 Round Slings

H309
 Round Slings



Product Brochure For H251

H307
 Round Sling



H306
 Round Sling



H320
 Flat Sling



H311
 Round Sling



H310
 Round Sling



H314
 Round Sling



H315
 Round Sling



H322
 Flat Sling



H312
 Round Sling



H324
 Flat Sling



H313
 Round Sling

